

I. Stainless Steel Femoral Retrograde and Ankle Arthrodesis Nailing Systems



Manufactured by:
ORTHOFIX Srl
Via Delle Nazioni 9, 37012 Bussolengo (Verona), Italy
Telephone +39 045 6719000, Fax +39 045 6719380

See Manual PM AAN "The Ankle Arthrodesis Nail" for application instructions



1. Nails and Locking Screws



Total Length (mm)	Nail Diameter (mm)		
	10	11	12
140	77014		77214
160	77016		77216
180	77018	77118	77218
190	77019	77119	77219
200	77020	77120	77220
210	77021	77121	77221
220	77022	77122	77222
240	76024	76124	
260	76026	76126	
280	76028	76128	
300	76030	76130	
320	76032	76132	
340	76034	76134	
360		76136	



Total Length (mm)	Thread Length (mm)		
	8	12	20
30	73930		
35	73935		
40	73940		
45	73945		
50		73950	
55		73955	
60		73960	
65		73965	
70			73970
75			73975
80			73980
85			73985
90			73990
95			73995
100			73900
105			73905
110			73910



Total Length (mm)	Thread Length (mm)
20	74420
25	74425
30	74430
35	74435

1 Retrograde Nails

77900 Retrograde Nail End Cap

Note: For the first 50mm all nails are 12mm in diameter; they then taper to the diameter stated

Nails up to 220mm long have three locking holes at each end.

The longer nails have two at each end.

Nails listed in blue are short nails for supracondylar and ankle arthrodesis applications.

2 Standard Nail Locking Screws

Thread Ø 6mm

3 Tibial Nail Locking Screws

Thread Ø 6mm

For proximal locking in the Ankle Arthrodesis Nail

Note: All implants are also available packaged sterile. They can be ordered using the above code numbers preceded by 99- (e.g. 99-73930)



Nails and Locking Screws

4



Total Length (mm)	Thread Length (mm)			
	7	9	12	20
30	74530			
35	74535			
40	74540			
45	74545			
50		74550		
55		74555		
60		74560		
65		74565		
70			74570	
75			74575	
80			74580	
85			74585	
90			74590	
95				74595
100				74500
105				74505
110				74510

5



Total Length (mm)	Thread Length (mm)	
	12	20
70	76570	
75	76575	
80	76580	
85	76585	
90	76590	
95		76595
100		76500
105		76505
110		76510



6

4
Revision Locking Screws
Thread Ø 8mm

5
Compression Locking Screws
Thread Ø 8mm

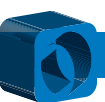
6
74405 Revision Locking Screw Washers
(pack of 4)
They are usually used with Revision Locking Screws or Compression Locking Screws



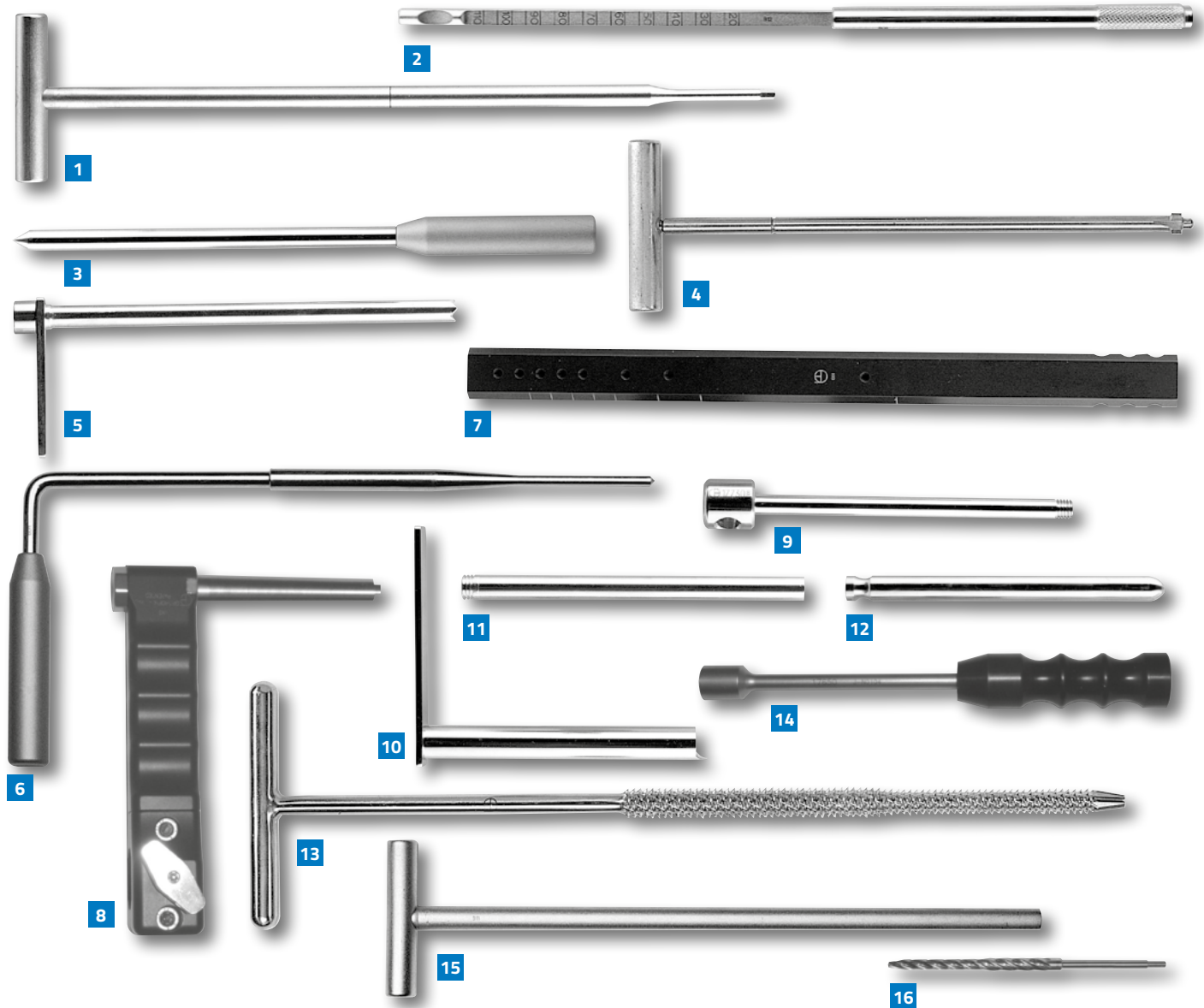
7

7
76900 Compression Nuts with Self-Locking Washer (pack of 4)
They are used at the threaded end of the Femoral Retrograde Nails Compression Locking Screws

Note: All implants are also available packaged sterile. They can be ordered using the above code numbers preceded by 99- (e.g. 99-74530)



2. Instrumentation



1
17350 Nail Locking Screw T-Wrench, Hexagonal 3.5mm

2
17351 Locking Screw Depth Gauge

3
17354 Straight Trocar 8mm

4
17640 Countersink Hand Drill 8/4mm

5
17365 Nail Drill Guide \varnothing 4mm

6
17356 Nail Graduated Angled Trocar 4/8mm

7
17720 Short Guide Bar, 140-220 nails

8
17710 Handle

9
17730 Locking Rod

10
17741 Reamer Guide Sleeve

11
17740 Smooth Screw Guide

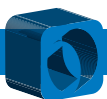
12
17742 K-Wire Insertion Centralizer

13
17760 Cannulated Hand Reamer 12/10mm

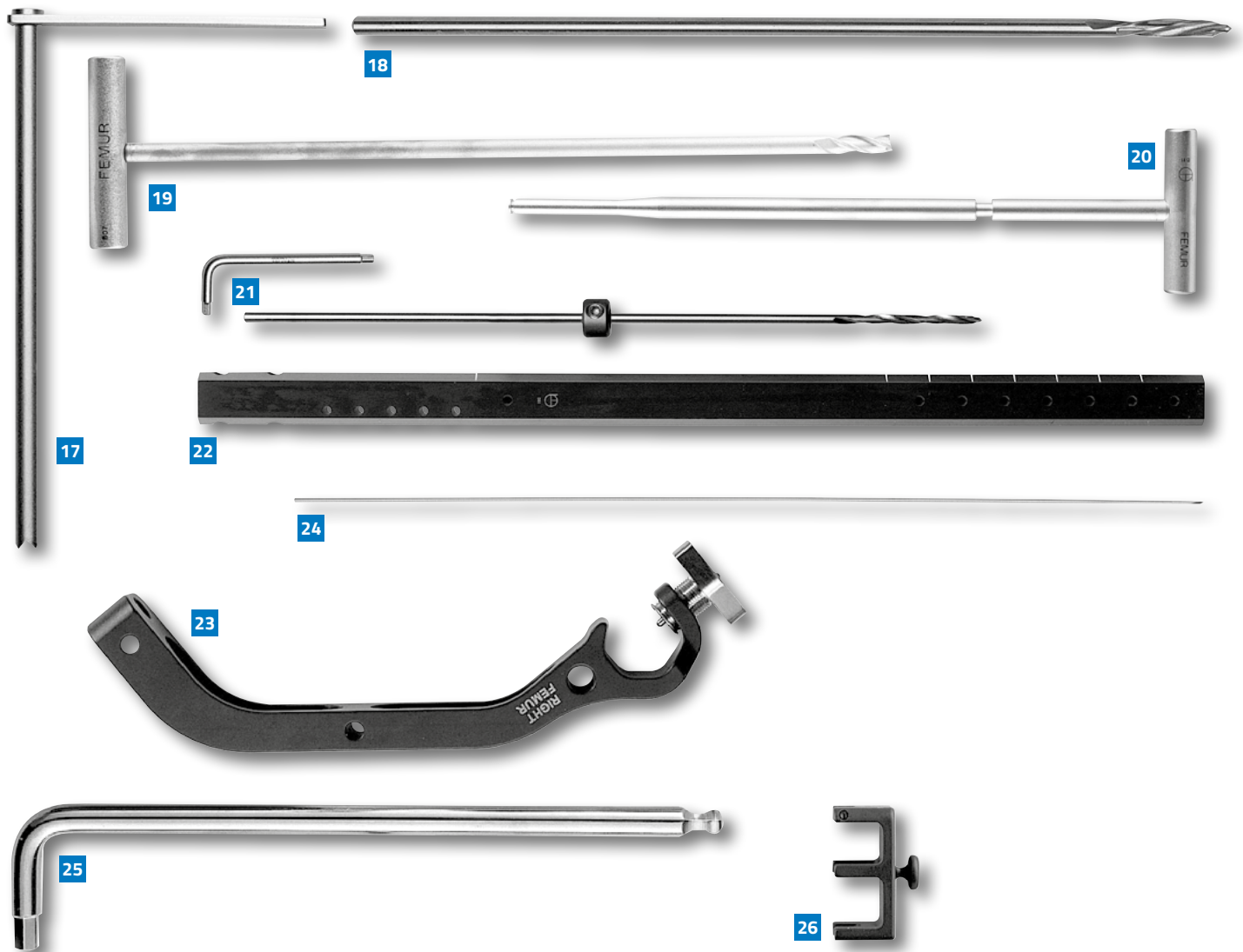
14
17650 Compression Nut Wrench

15
17652 T-Handled Locking Screw Extractor

16
17765 Graduated Drill Bit, 10-12mm



Instrumentation



17
11124 Drill Guide \varnothing 6mm

18
17326 Drill Bit \varnothing 6mm
Length 280mm.

19
17327 T-Handled Hand Reamer \varnothing 6mm

20
17384 T-Handled Stabilizing Rod \varnothing 6mm

21
11008 Drill Bit Kit \varnothing 4mm
*Consisting of: 1 Allen Wrench 3mm, 1 Drill Bit
Stop Unit \varnothing 4mm, 1 Drill Bit 310mm*

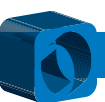
22
17620 Long Guide Bar, 240-360mm nails

23
17683 Sliding Outrigger

24
17750 K-Wire \varnothing 3mm
Length 400mm.

25
10017 Allen Wrench 6mm

26
Stabilizing Spacers
17385 \varnothing 10mm
17386 \varnothing 11mm



3. Instrumentation Kits - Sterilization Boxes



1

1
17600 Complete Retrograde Nailing Kit

Consisting of:

- 1x17606 Sterilization Box for Instruments, empty
- 1x11124 Drill Guide Ø 6mm
- 1x17326 Drill Bit Ø 6mm, length 280mm
- 1x17327 T-Handled Hand Reamer Ø 6mm
- 1x17384 T-Handled Stabilizing Rod Ø 6mm
- 1x17385 Stabilizing Spacer Ø 10mm
- 1x17386 Stabilizing Spacer Ø 11mm
- 1x17620 Long Guide Bar, 240-360mm nails
- 1x17683 Sliding Outrigger
- 1x10017 Allen Wrench 6mm
- 2x11008 Drill Bit Kit Ø 4mm, length 310mm
- 1x17350 Nail Locking Screw T-Wrench, Hexagonal 3.5mm
- 1x17351 Locking Screw Depth Gauge
- 1x17354 Straight Trocar Ø 8mm
- 1x17356 Nail Graduated Angled Trocar 4/8mm
- 2x17365 Nail Drill Guide Ø 4mm
- 1x17640 Countersink Hand Drill 8/4mm

- 1x17652 T-Handled Locking Screw Extractor
- 1x17710 Handle
- 1x17720 Short Guide Bar, 140-220 nails
- 1x17730 Locking Rod
- 3x17740 Smooth Screw Guide
- 1x17741 Reamer Guide Sleeve
- 1x17750 K-Wire Ø 3mm, length 400mm
- 1x17760 Cannulated Hand Reamer 12/10mm
- 1x17650 Compression Nut Wrench
- 1x17742 K-Wire Insertion Centralizer

17700 Supracondylar and Ankle Arthrodesis Nailing Kit

Consisting of all the instruments listed in blue and the Sterilization Box for Instruments.

Note: For Supracondylar short nail application the Compression Nut Wrench (17650) and the K-Wire Insertion Centralizer (17742) are also required

17606 Sterilization Box for Instruments, empty
(not illustrated)

17607 Sterilization Box for Nails and Locking Screws, empty
(not illustrated)

