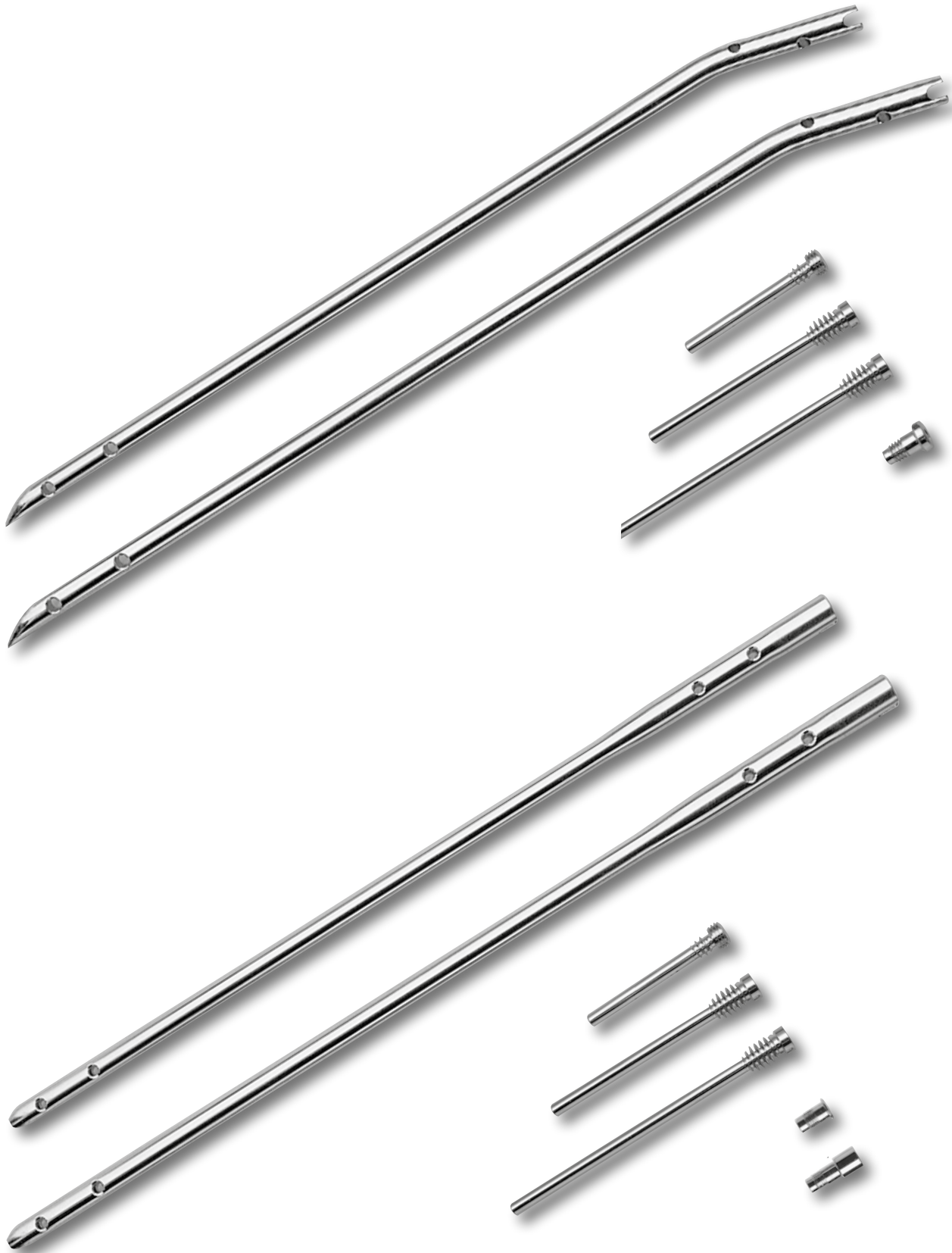


J. Stainless Steel Tibial Nailing System and Stainless Steel Femoral Nailing System



CE 0123

Manufactured by:
ORTHOFIX Srl
Via Delle Nazioni 9, 37012 Bussolengo (Verona), Italy
Telephone +39 045 6719000, Fax +39 045 6719380

See Quick Reference Guide PG IMF
"The Orthofix Femoral Nailing System"
and PG IMT "The Orthofix Tibial Nailing
System" for application instructions.



1. Tibial Nails and Locking Screws



Length (mm)	Nail Diameter (mm)					
	8	9	10	11	12	13
240	74824	74924	75024	75124		
260	74826	74926	75026	75126		
280	74828	74928	75028	75128		
300	74830	74930	75030	75130		
320	74832	74932	75032	75132		
330	74833	74933	75033	75133	75233	75333
340	74834	74934	75034	75134	75234	75334
350	74835	74935	75035	75135	75235	75335
360	74836	74936	75036	75136	75236	75336
380	74838	74938	75038	75138	75238	75338
400		74940	75040	75140	75240	75340
420				75142	75242	75342
440				75144	75244	75344



Total Length (mm)	Thread Length (mm)		
	7	9	12
20	74420		
25	74425		
30	74430		
35	74435		
40	74440		
45	74445		
50		74450	
55		74455	
60		74460	
65		74465	
70			74470
75			74475



Total Length (mm)	Thread Length (mm)		
	7	9	12
30	74530		
35	74535		
40	74540		
45	74545		
50		74550	
55		74555	
60		74560	
65		74565	
70			74570
75			74575
80			74580

1
Tibial Nails
Solid, Ø 8 and 9mm.
Cannulated, Ø 10, 11, 12 and 13mm

74401 Tibial Nail End Cap

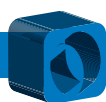
Note: The proximal part of the 8mm nail has a diameter of 9mm

Only the nails in blue are the standard issue range. Nails in black are available on special order

2
Tibial Nail Locking Screws
Thread Ø 6mm

3
Revision Locking Screws
Thread Ø 8mm
 Available for use in situations where the thread of a standard screw does not have sufficient purchase for any reason, e.g. in osteoporotic bone

Note: All implants are also available packaged sterile. They can be ordered using the above code numbers preceded by 99- (e.g. 99-74824).



2. Femoral Nails and Locking Screws

1



Total Length (mm)	Nail Diameter (mm)			
	9	10	11	12
280	73428	73028		
300	73430	73030		
320	73432	73032		
340	73434	73034	73134	73234
360	73436	73036	73136	73236
380	73438	73038	73138	73238
400	73440	73040	73140	73240
420	73442	73042	73142	73242
440	73444	73044	73144	73244
460		73046	73146	73246
480			73148	73248

2



Total Length (mm)	Thread Length (mm)		
	8	12	20
30	73930		
35	73935		
40	73940		
45	73945		
50		73950	
55		73955	
60		73960	
65		73965	
70			73970
75			73975
80			73980
85			73985

3



Total Length (mm)	Thread Length (mm)		
	7	9	12
30	74530		
35	74535		
40	74540		
45	74545		
50		74550	
55		74555	
60		74560	
65		74565	
70			74570
75			74575
80			74580
85			74585
90			74590

1 Cannulated Femoral Nails Femoral Nail End Caps

73901 Short
73902 Long

Note: Each nail has a wider proximal section which is about 90mm long: 9 and 10mm nails: proximal section 12mm wide 11 and 12mm nails: proximal section 13mm wide

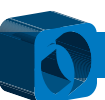
Only the nails in blue are the standard issue range. Nails in black are available on special order

2 Femoral Nail Locking Screws Thread Ø 6mm

3 Revision Locking Screws Thread Ø 8mm

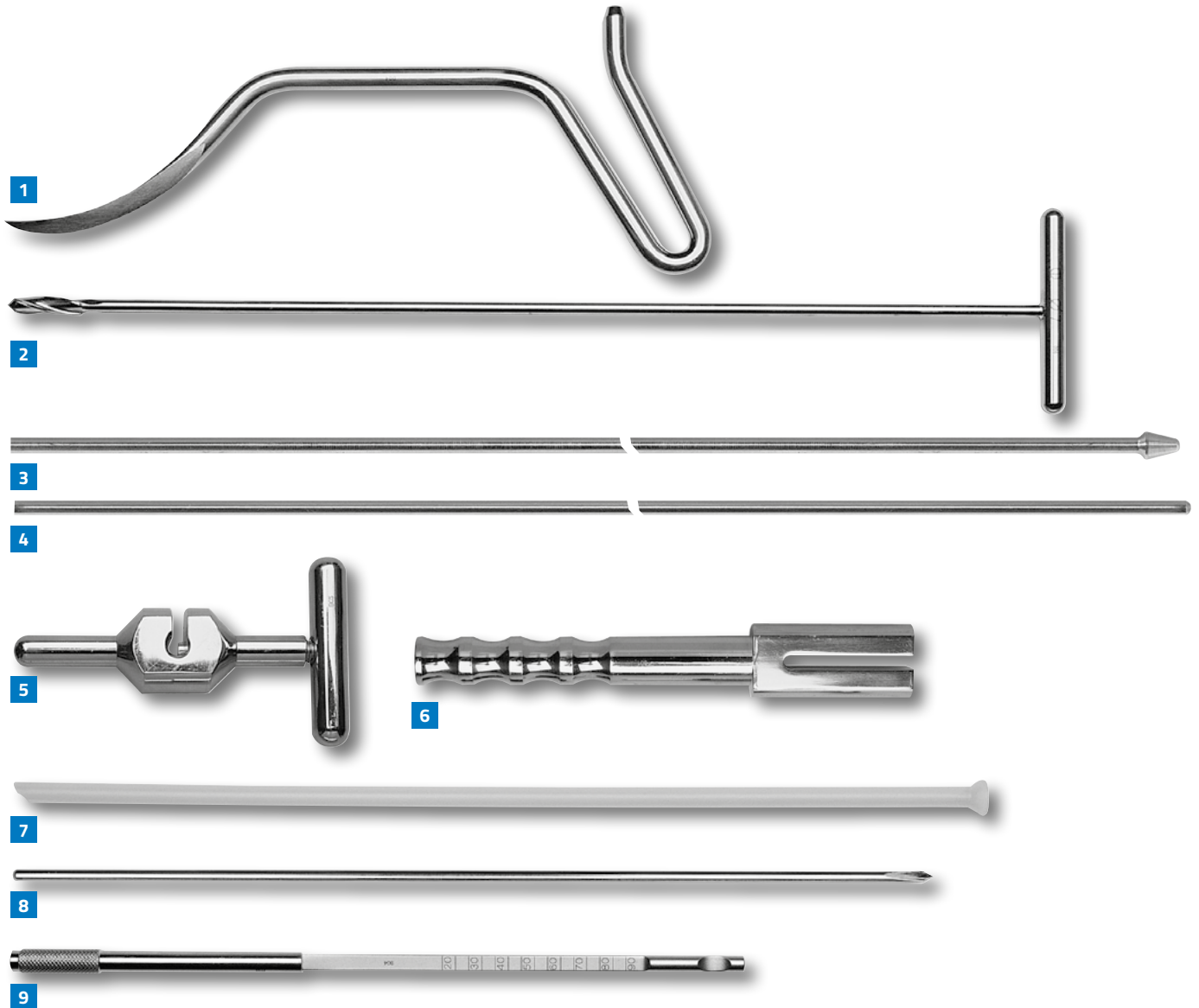
Available for use in situations where the thread of a standard screw does not have sufficient purchase for any reason, e.g. in osteoporotic bone

Note: All implants are also available packaged sterile. They can be ordered using the above code numbers preceded by 99- (e.g. 99-73428)



3. General Instrumentation

(common to Tibial and Femoral Nailing Systems)



1
17470 Nail Pointed Awl

2
Nail Rigid Reamers
17472 Ø 7mm, length 410mm
17473 Ø 8mm, length 410mm
17474 Ø 9mm, length 410mm

3
17127 Guide Wire with olive Ø 3mm
Length 980mm

4
Guide Wire without olive Ø 3mm
17469 Length 480mm
17121 Length 980mm

5
17367 Nail Guide Wire T-Handle
To grip the guide wire for hammering during insertion

6
17368 Nail Slotted Hammer
For guide wire insertion

7
17353 Nail Plastic Guide Wire Exchange Tube

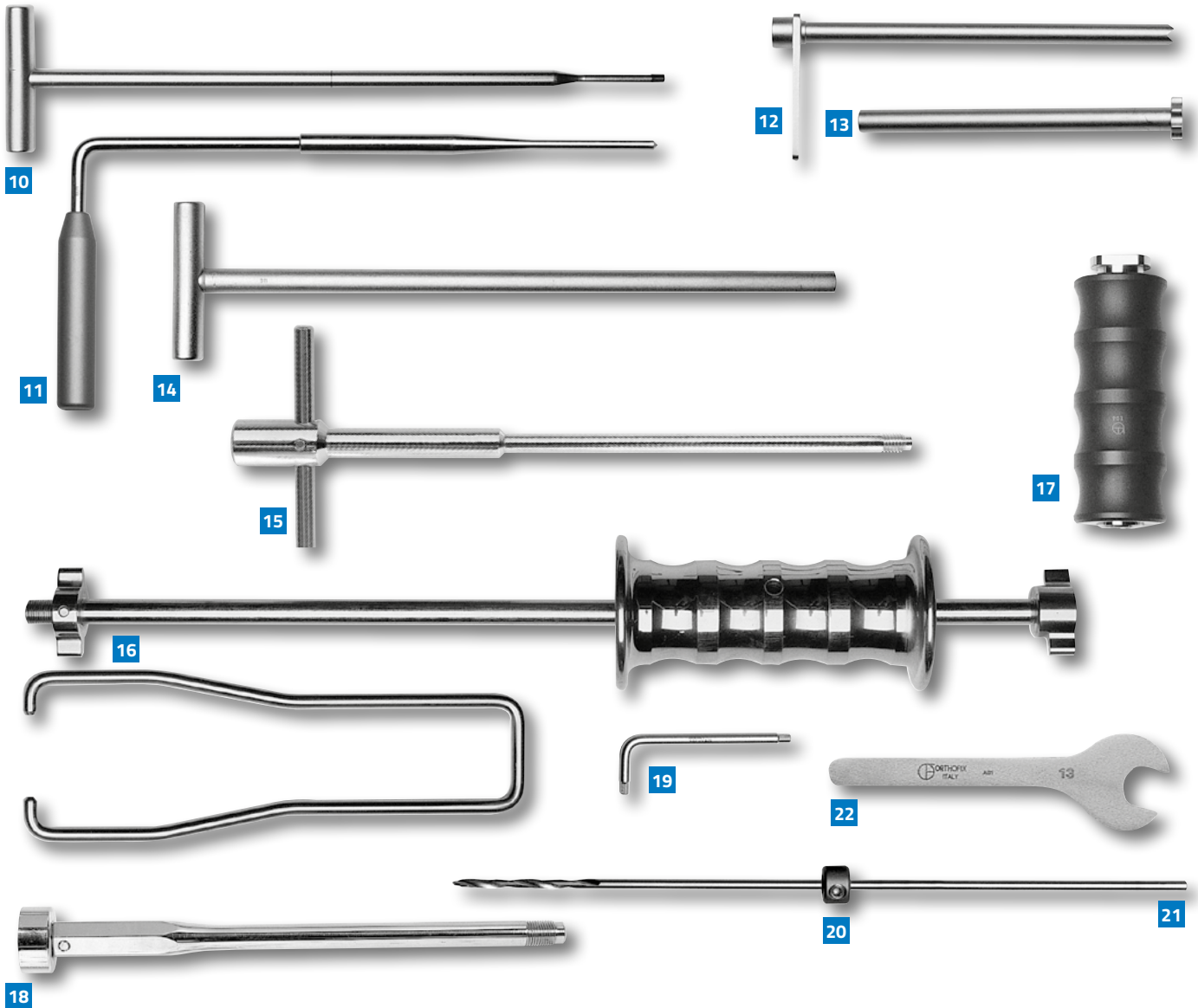
8
11146 X-Wire without olive Ø 2mm
Length 150mm

9
17351 Locking Screw Depth Gauge



General Instrumentation

(common to Tibial and Femoral Nailing Systems)



10
17350 Nail Locking Screw T-Wrench,
Hexagonal 3.5mm

11
17356 Nail Graduated Angled
Trocar 4/8mm

12
17365 Nail Drill Guide Ø 4mm

13
17360 Nail Screw Guide

14
17652 Nail T-Handled Locking Screw
Extractor

15
17491 Tibial Nail Extractor Screw Adapter

17490 Tibial Nail Extractor Kit
Consisting of: 1 Nail Sliding Hammer with
Detachable Swing Arm (17392), 1 Tibial Nail
Extractor Screw Adapter (17491)

16
17392 Nail Sliding Hammer
with Detachable Swing Arm

17
170035 Black Handle with Bayonet Fitting
To be used only with Femoral Nailing System

18
17391 Femoral Nail Extractor Screw Adapter

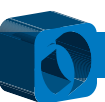
17390 Femoral Nail Extractor Kit
Consisting of: 1 Black Handle with Bayonet
Fitting (170035), 1 Nail Sliding Hammer with
Detachable Swing Arm (17392),
1 Femoral Nail Extractor Screw Adapter
(17391)

19
10012 Allen Wrench 3mm

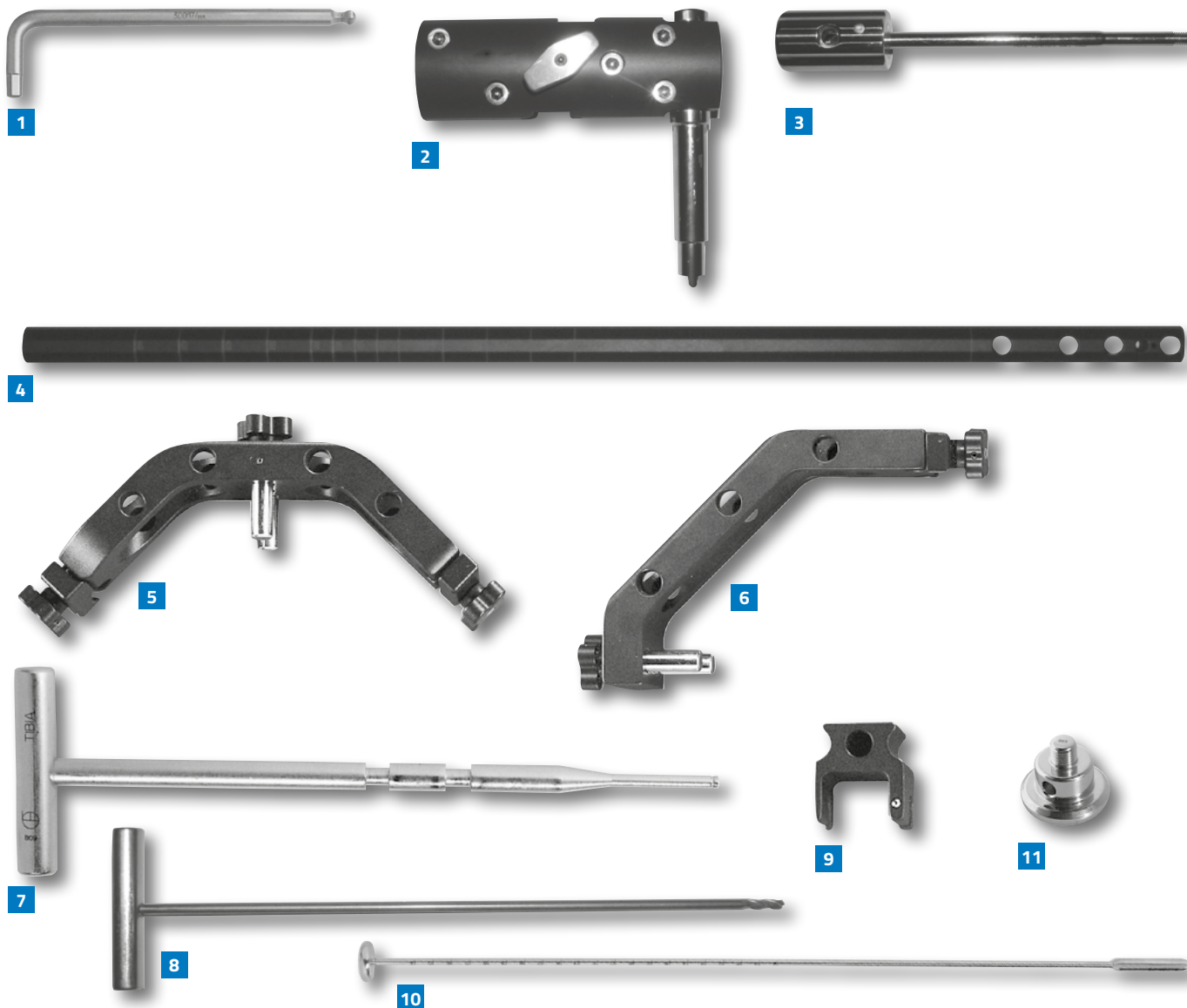
20
17305 Drill Bit Stop Unit Ø 4mm

21
1100901 Drill Bit Ø 4mm
Length 280mm
11009 Drill Bit Kit Ø 4mm
Consisting of: 1 Allen Wrench 3mm, 1 Drill Bit
Stop Unit Ø 4mm, 1 Drill Bit 280mm

22
17357 Spanner 13mm
To be used only with Femoral Nail Extractor Kit



4. Tibial Nailing System - Specific Instrumentation



1
30017 Allen Wrench 5mm

2
17410 Tibial Nail External Jig Handle,
with Bar Locking Screw

3
17430 Tibial Nail External Jig Handle Locking
Rod

4
17420 Tibial Nail External Jig Guide Bar

5
17440 Tibial Nail External Jig Proximal Out-
rigger

6
17450 Tibial Nail External Jig Distal
Outrigger

7
17481 Tibial Nail T-Handled Stabilizing Rod,
Ø 4.0mm

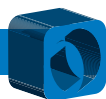
8
17426 Tibial Nail T-Handled Reamer,
Ø 4.0mm

9
Tibial Nail U-Shaped Stabilizing Spacers
17482 8/13mm
17483 9/12mm
17484 10/11mm

10
Tibial Nail Sounds
17475 Ø 8mm, graduated, length 470mm
17476 Ø 9mm, length 470mm

11
17477 Strike Plate

12
Tibial Nail and Locking Screw X-ray
Overlays (not illustrated)
PT200A 8% magnification
PT250A 15% magnification



5. Femoral Nailing System - Specific Instrumentation



1 Femoral Nail Internal Template Collars with Locking Screw

- 17366 Ø 9mm
- 17375 Ø 10mm
- 17376 Ø 11mm
- 17377 Ø 12mm

Femoral Nail Internal Templates with Handle

17370 Ø 9mm

Consisting of: 1 Femoral Nail Internal Tube Template, Ø 9mm (170008) and 1 Femoral Nail Internal Template Collar with Locking Screw Ø 9mm (17366)

17371 Ø 10mm

Consisting of: 1 Femoral Nail Internal Tube Template, Ø 10mm (170073) and 1 Femoral Nail Internal Template Collar with Locking Screw Ø 10mm (17375)

17372 Ø 11mm

Consisting of: 1 Femoral Nail Internal Tube Template, Ø 11mm (170074) and 1 Femoral Nail Internal Template Collar with Locking Screw Ø 11mm (17376)

17373 Ø 12mm

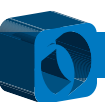
Consisting of: 1 Femoral Nail Internal Tube Template, Ø 12mm (170075) and 1 Femoral Nail Internal Template Collar with Locking Screw Ø 12mm (17377)

2 17369 Nail Soft tissue protector

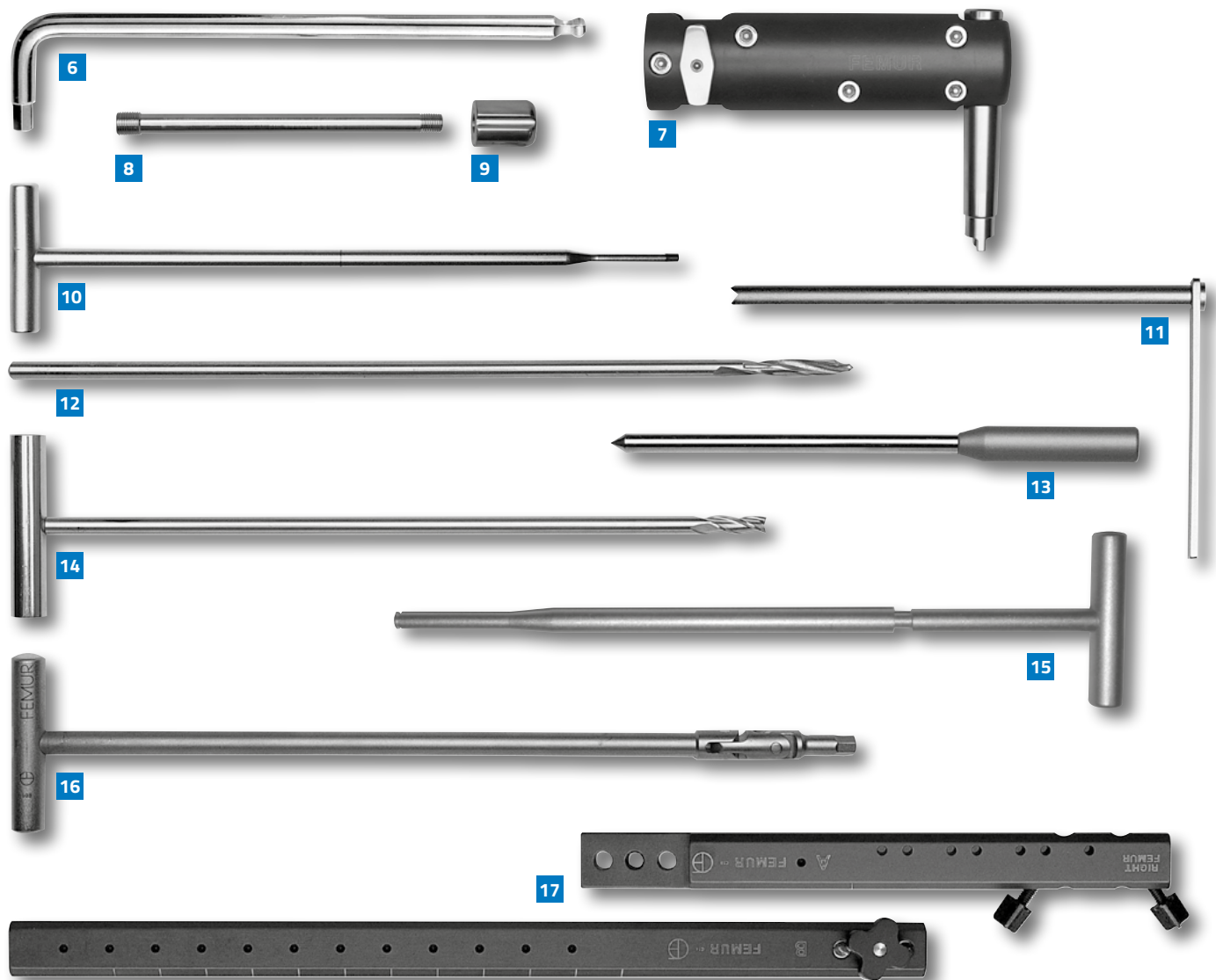
3 17364 Long Insertion Awl

4 17362 Piriform Fossa Guide Template

5 17363 Insertion Tool



Femoral Nailing System - Specific Instrumentation



6
10017 Allen Wrench 6mm

7
17310 Femoral Nail Handle with Bar
Locking Screw

8
17333 Femoral Nail Locking Rod

9
17332 Femoral Nail Locking Rod
Securing Nut

10
17335 Extractor Wrench 4mm

17331 Femoral Nail Locking Rod Kit
Consisting of: 1 Femoral Nail Locking Rod
(17333), 1 Femoral Nail Locking Rod
Securing Nut (17332) and
1 Extractor Wrench 4mm (17335)

11
11124 Drill Guide Ø 6mm
Length 160mm

12
17326 Drill Bit Ø 6mm
Length 280mm

13
17354 Straight Trocar 8mm

14
17327 Femoral Nail T-Handled Reamer
Ø 6mm

15
17384 Femoral Nail T-Handled Stabilizing
Rod, Ø 6mm

16
17355 Femoral Nail T-Wrench 6mm with
Universal Joint

17
17340 Femoral Nail Guide Bar
17342 Part "A"
170013 Part "B"



Femoral Nailing System - Specific Instrumentation



18



19



20



21



22

18
17683 Sliding Outrigger

19
17389 Femoral Nail Stabilizing Spacer
Ø 9mm

20
Femoral Nail Stabilizing Spacers
17385 Ø 10mm
17386 Ø 11mm
17387 Ø 12mm

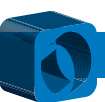
Replacement Components

21
170070 Femoral Nail Internal Template Locking Screw

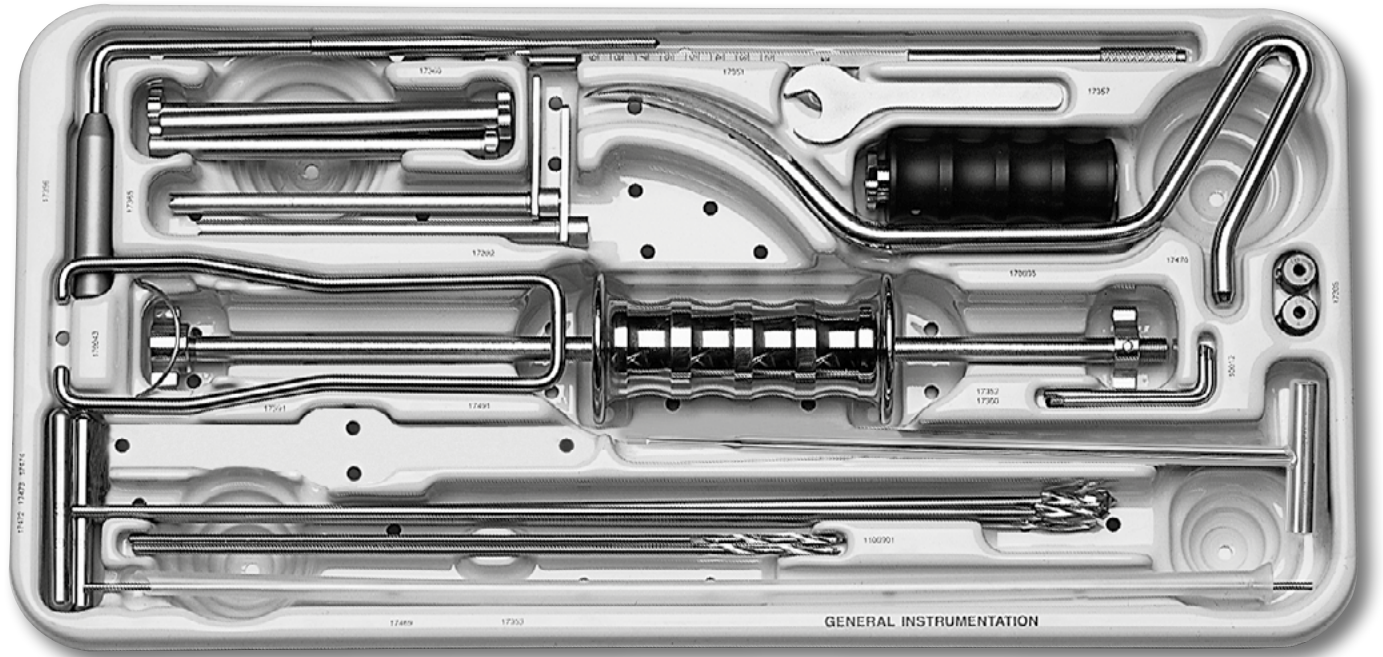
22
17379 Femoral Nail Guide Locking Screw

23
17382 Distal Outrigger Locking Screw
for Femoral Nail
(Not illustrated)

24
Transparent X-ray Overlays
(Not illustrated).
PT100A 8% magnification
PT150A 15% magnification



6. Sterilization Boxes



1

1 17405 Tibial and Femoral Nailing System General Instrumentation Sterilization Box, empty

Can accommodate:

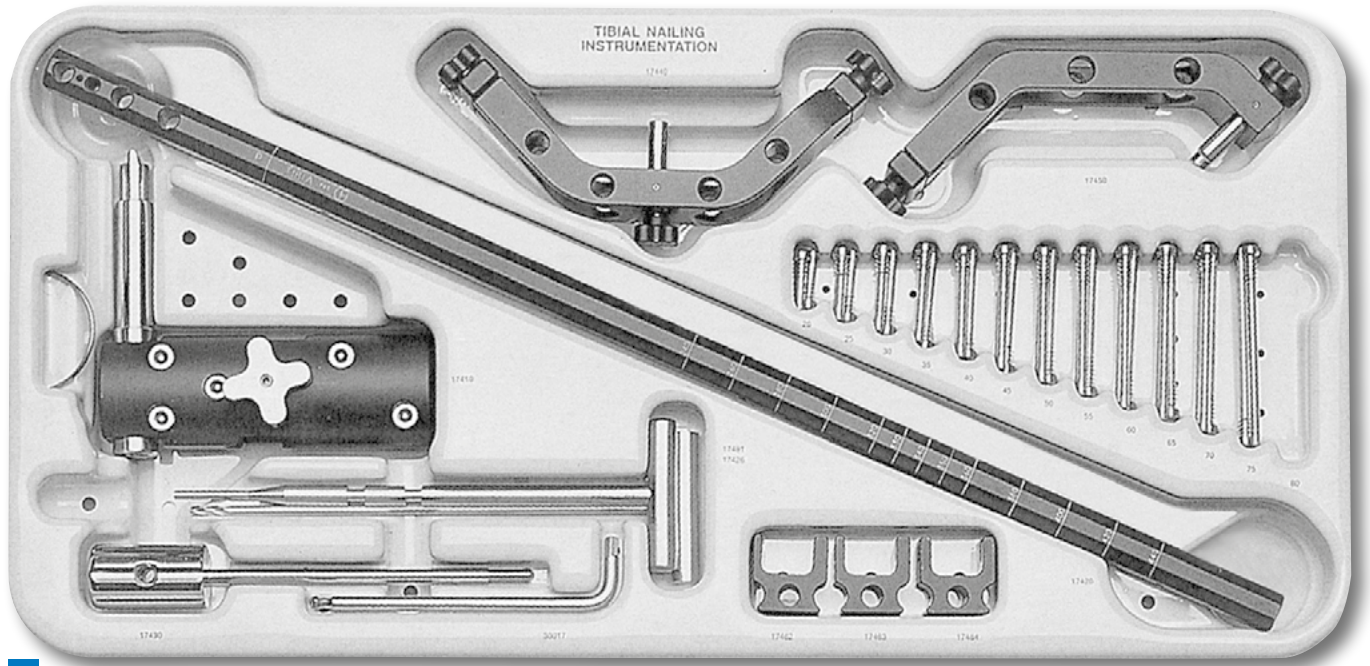
- 1x17350 Nail Screw T-wrench, Hexagonal 3.5mm
- 1x17356 Nail Graduated Angled Trocar 8/4mm
- 3x17360 Nail Screw Guide
- 3x17365 Nail Drill Guide Ø 4mm
- 2x11009 Drill Bit Kit Ø 4mm
Consisting of: 1 Allen Wrench 3mm, 1 Drill Bit Stop Unit Ø 4.0mm and 1 Drill Bit 280mm
- 1x17652 Nail T-Handled Locking Screw Extractor
- 1x17391 Femoral Nail Screw Adapter (not illustrated)
- 1x17491 Tibial Nail Screw Adapter (not illustrated)
- 1x170035 Black Handle, with Bayonet Fitting

- 1x17392 Nail Sliding Hammer with Detachable Swing Arm
- 1x17357 Spanner 13mm
- 1x17470 Nail Pointed Awl
- 1x17472 Nail Rigid Reamer, Ø 7mm, length 410mm
- 1x17473 Nail Rigid Reamer, Ø 8mm, length 410mm
- 1x17474 Nail Rigid Reamer, Ø 9mm, length 410mm
- 1x17351 Locking Screw Depth Gauge
- 1x17353 Nail Plastic Guide Wire Exchange Tube
- 2x11146 X-Wire without olive, Ø 2mm, length 150mm

Free space is available for other accessories



Sterilization Boxes



2

2 17406 Tibial Nailing System Specific Instrumentation Sterilization Box, empty

Can accommodate:

- 1x17410 Tibial Nail External Jig Handle, with Bar Locking Screw
- 1x17430 Tibial Nail External Jig Locking Rod
- 1x17420 Tibial Nail External Jig Guide Bar
- 1x17440 Tibial Nail External Jig Proximal Outrigger
- 1x17450 Tibial Nail External Jig Distal Outrigger
- 1x30017 Allen Wrench 5mm
- 1x17481 Tibial Nail T-Handled Stabilizing Rod \varnothing 4mm
- 1x17426 Tibial Nail T-Handled Reamer \varnothing 4mm
- 1x17482 Tibial Nail U-Shaped Stabilizing Spacer 8/13mm
- 1x17483 Tibial Nail U-Shaped Stabilizing Spacer 9/12mm

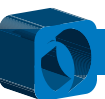
1x17484 Tibial Nail U-Shaped Stabilizing Spacer 10/11mm

1x17475 Tibial Nail Sound \varnothing 8mm, length 470mm (not illustrated)

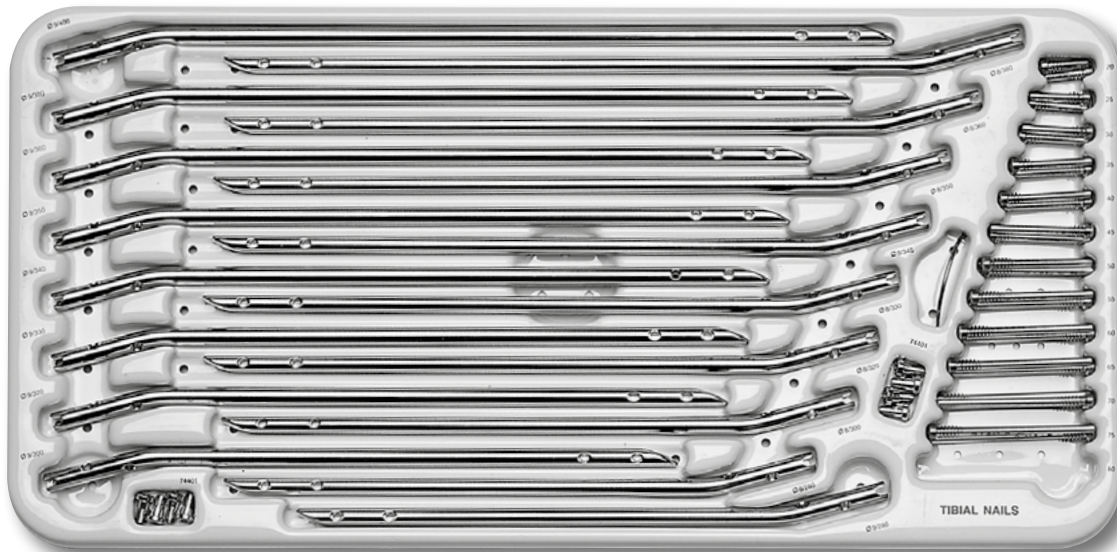
2x17476 Tibial Nail Sound \varnothing 9mm, length 470mm (not illustrated)

1x17477 Tibial Nail Strike Plate (not illustrated)

Space is available for locking screws



Sterilization Boxes

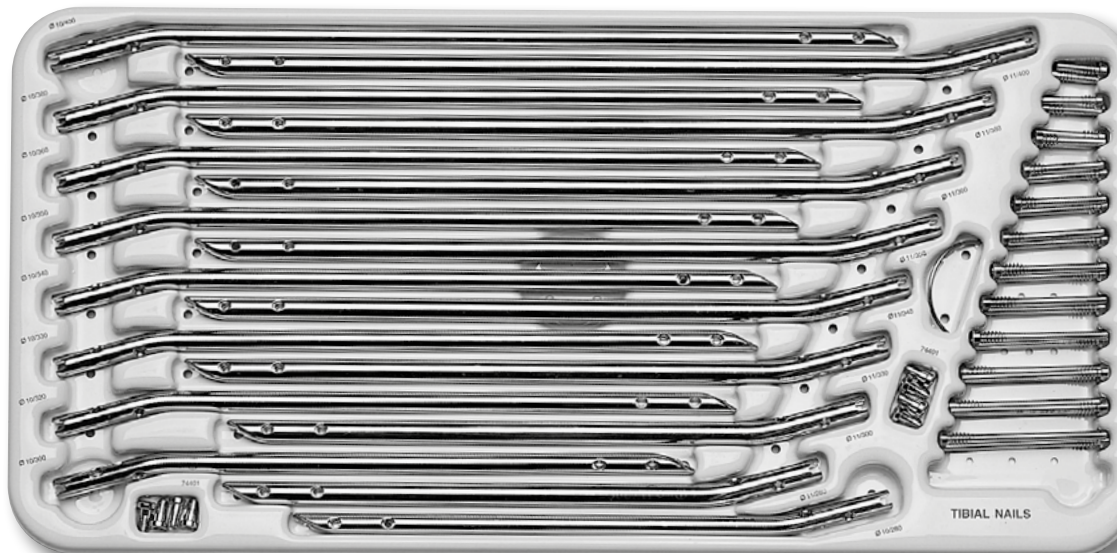


3

3 17407 Tibial Nailing System 8mm and 9mm Ø Nails Sterilization Box, empty

Can accommodate:

1x74828	Tibial Nail, 280x8mm
1x74830	Tibial Nail, 300x8mm
1x74832	Tibial Nail, 320x8mm
1x74833	Tibial Nail, 330x8mm
1x74834	Tibial Nail, 340x8mm
1x74835	Tibial Nail, 350x8mm
1x74836	Tibial Nail, 360x8mm
1x74838	Tibial Nail, 380x8mm
1x74928	Tibial Nail, 280x9mm
1x74930	Tibial Nail, 300x9mm
1x74932	Tibial Nail, 320x9mm
1x74933	Tibial Nail, 330x9mm
1x74934	Tibial Nail, 340x9mm
1x74935	Tibial Nail, 350x9mm
1x74936	Tibial Nail, 360x9mm
1x74938	Tibial Nail, 380x9mm
1x74940	Tibial Nail, 400x9mm
8x74401	Tibial Nail End Cap



4

4 17408 Tibial Nailing System 10mm and 11mm Ø Nails Sterilization Box, empty

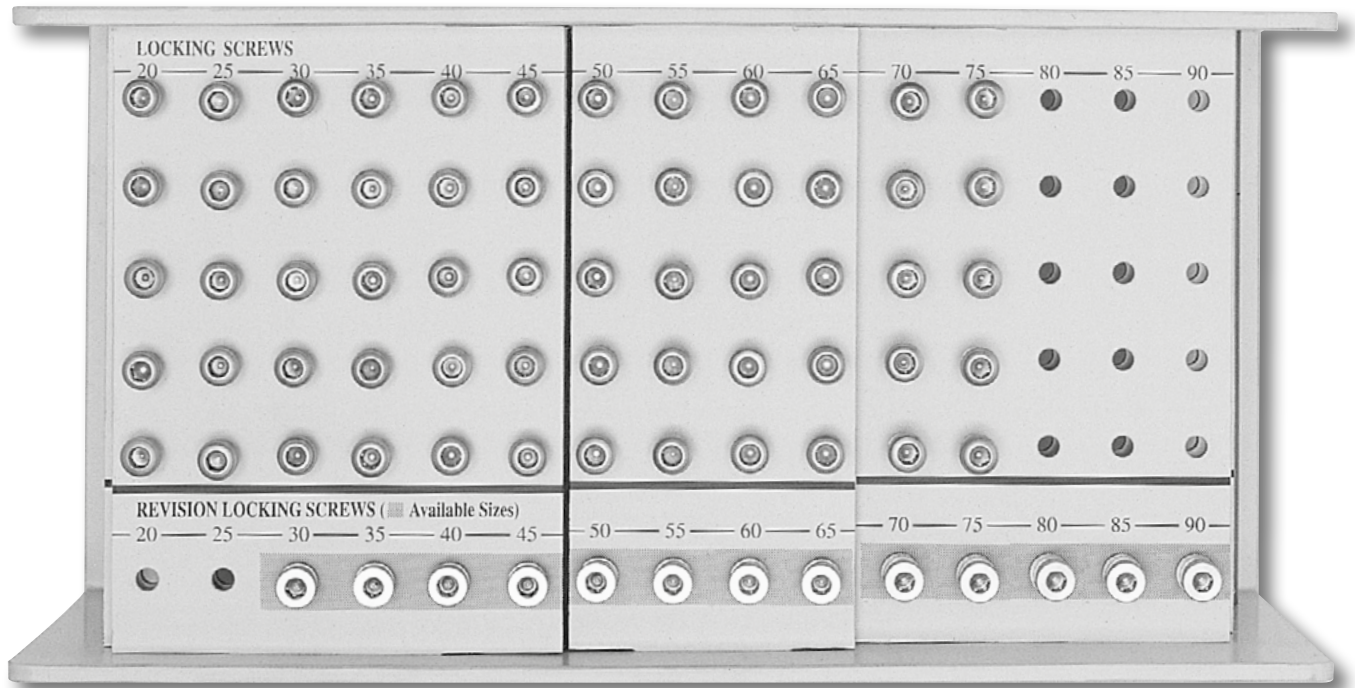
Can accommodate:

1x75028	Tibial Nail, 280x10mm
1x75030	Tibial Nail, 300x10mm
1x75032	Tibial Nail, 320x10mm
1x75033	Tibial Nail, 330x10mm
1x75034	Tibial Nail, 340x10mm
1x75035	Tibial Nail, 350x10mm
1x75036	Tibial Nail, 360x10mm
1x75038	Tibial Nail, 380x10mm
1x75040	Tibial Nail, 400x10mm
1x75128	Tibial Nail, 280x11mm
1x75130	Tibial Nail, 300x11mm
1x75133	Tibial Nail, 330x11mm
1x75134	Tibial Nail, 340x11mm
1x75135	Tibial Nail, 350x11mm
1x75136	Tibial Nail, 360x11mm
1x75138	Tibial Nail, 380x11mm
1x75140	Tibial Nail, 400x11mm
8x74401	Tibial Nail End Cap

Space is available for Locking Screws



Sterilization Boxes



5

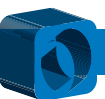
5 17404 Tibial Nail Locking Screws and Revision Locking Screws Sterilization Box, empty

Can accommodate:

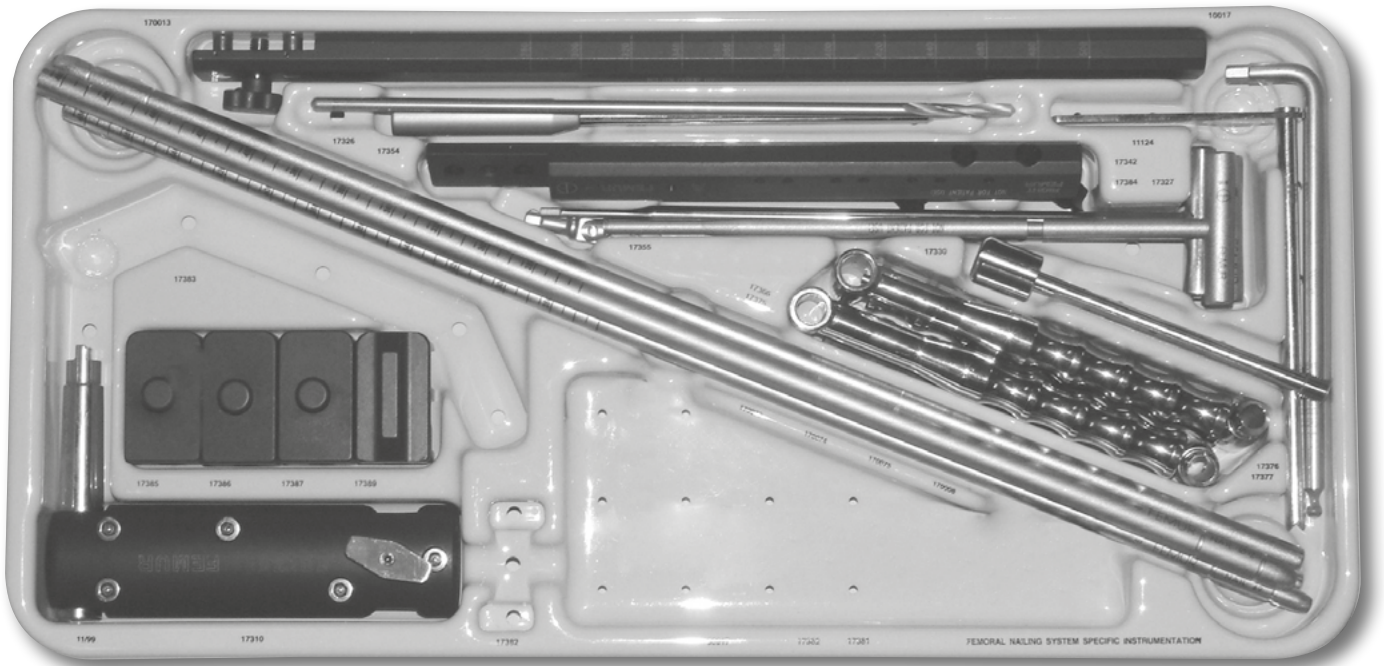
- 5x74420 Tibial Nail Locking Screw,
6/20mm, thread length 7mm
- 5x74425 Tibial Nail Locking Screw,
6/25mm, thread length 7mm
- 5x74430 Tibial Nail Locking Screw,
6/30mm, thread length 7mm
- 5x74435 Tibial Nail Locking Screw,
6/35mm, thread length 7mm
- 5x74440 Tibial Nail Locking Screw,
6/40mm, thread length 7mm
- 5x74445 Tibial Nail Locking Screw,
6/45mm, thread length 7mm
- 5x74450 Tibial Nail Locking Screw,
6/50mm, thread length 9mm
- 5x74455 Tibial Nail Locking Screw,
6/55mm, thread length 9mm
- 5x74460 Tibial Nail Locking Screw,
6/60mm, thread length 9mm

- 5x74465 Tibial Nail Locking Screw,
6/65mm, thread length 9mm
- 5x74470 Tibial Nail Locking Screw,
6/70mm, thread length 12mm
- 5x74475 Tibial Nail Locking Screw,
6/75mm, thread length 12mm
- 1x74530 Revision Locking Screw,
8/30mm, thread length 7mm
- 1x74535 Revision Locking Screw,
8/35mm, thread length 7mm
- 1x74540 Revision Locking Screw,
8/40mm, thread length 7mm
- 1x74545 Revision Locking Screw,
8/45mm, thread length 7mm
- 1x74550 Revision Locking Screw,
8/50mm, thread length 9mm
- 1x74555 Revision Locking Screw,
8/55mm, thread length 9mm
- 1x74560 Revision Locking Screw,
8/60mm, thread length 9mm
- 1x74565 Revision Locking Screw,
8/65mm, thread length 9mm
- 1x74570 Revision Locking Screw,
8/70mm, thread length 12mm

- 1x74575 Revision Locking Screw,
8/75mm, thread length 12mm
- 1x74580 Revision Locking Screw,
8/80mm, thread length 12mm
- 1x74585 Revision Locking Screw,
8/85mm, thread length 12mm
- 1x74590 Revision Locking Screw,
8/90mm, thread length 12mm



Sterilization Boxes



6

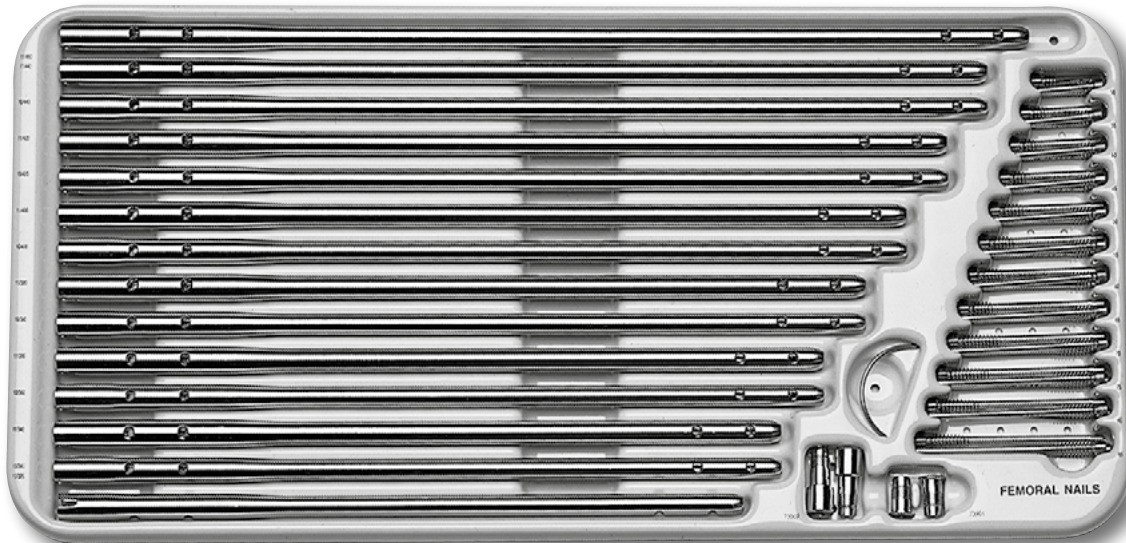
6 17306 Femoral Nailing System Specific Instrumentation Sterilization Box, empty

Can accommodate:

- | | | | |
|---------|---|---------|---|
| 1x17364 | Long Insertion Awl | 1x11124 | Drill Guide Ø 6mm,
length 160mm |
| 1x17331 | Femoral Nail Locking Rod Kit | 1x17326 | Drill Bit Ø 6mm,
length 280mm |
| 1x17310 | Femoral Nail Handle,
with Bar Locking Screw | 1x17355 | Femoral Nail T-Wrench
6mm with universal joint |
| 1x17340 | Femoral Nail Guide Bar, part "A"
(17342) and part "B" (170013) | 1x10017 | Allen Wrench 6mm |
| 1x17354 | Straight Trocar 8mm | 1x17389 | Femoral Nailing Stabilizing
Spacer, Ø 9mm |
| 1x17370 | Femoral Nail Internal Template
with Handle, Ø 9mm | 1x17385 | Femoral Nailing Stabilizing
Spacer, Ø 10mm |
| 1x17371 | Femoral Nail Internal Template
with Handle, Ø 10mm | 1x17386 | Femoral Nailing Stabilizing
Spacer, Ø 11mm |
| 1x17372 | Femoral Nail Internal Template
with Handle, Ø 11mm | 1x17387 | Femoral Nailing Stabilizing
Spacer, Ø 12mm |
| 1x17373 | Femoral Nail Internal Template
with Handle, Ø 12mm | 1x17683 | Sliding Outrigger
(non illustrated) |
| 1x17384 | Femoral Nail T-Handled
Stabilizing Rod, Ø 6mm | | |
| 1x17327 | Femoral Nail T-Handled Reamer
Ø 6mm | | |



Sterilization Boxes

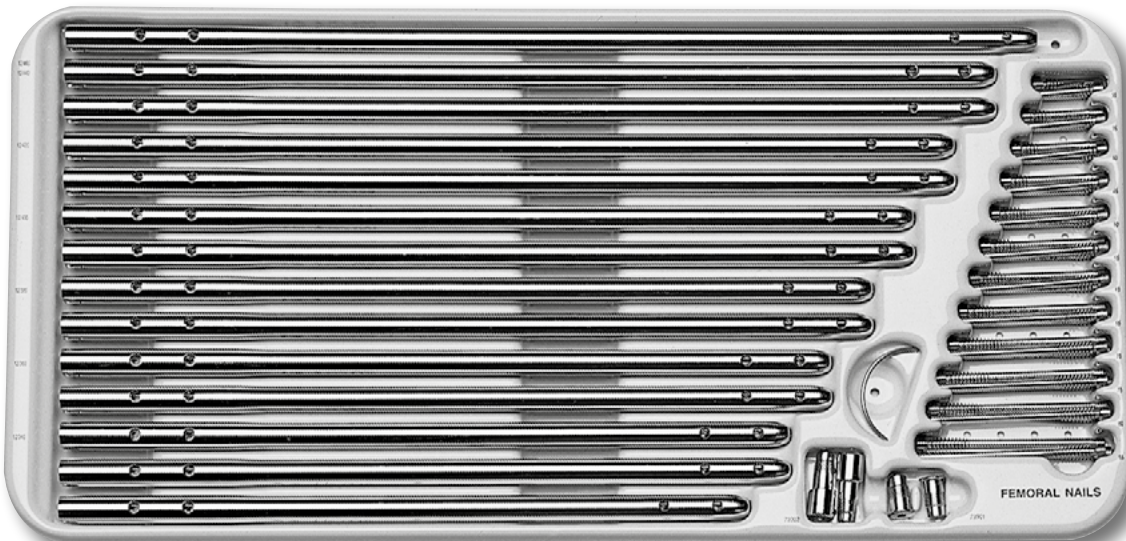


7

7 17307 Femoral Nailing System 9mm and 10mm Ø Nails Sterilization Box, empty

Can accommodate:

1x73432	Femoral Nail, 320x9mm
1x73434	Femoral Nail, 340x9mm
1x73436	Femoral Nail, 360x9mm
1x73438	Femoral Nail, 380x9mm
1x73440	Femoral Nail, 400x9mm
1x73442	Femoral Nail, 420x9mm
1x73444	Femoral Nail, 440x9mm
1x73032	Femoral Nail, 320x10mm
1x73034	Femoral Nail, 340x10mm
1x73036	Femoral Nail, 360x10mm
1x73038	Femoral Nail, 380x10mm
1x73040	Femoral Nail, 400x10mm
1x73042	Femoral Nail, 420x10mm
1x73044	Femoral Nail, 440x10mm
2x73901	Femoral Nail End Cap Short
2x73902	Femoral Nail End Cap Long



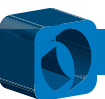
8

8 17308 Femoral Nailing System 11mm and 12mm Ø Nails Sterilization Box, empty

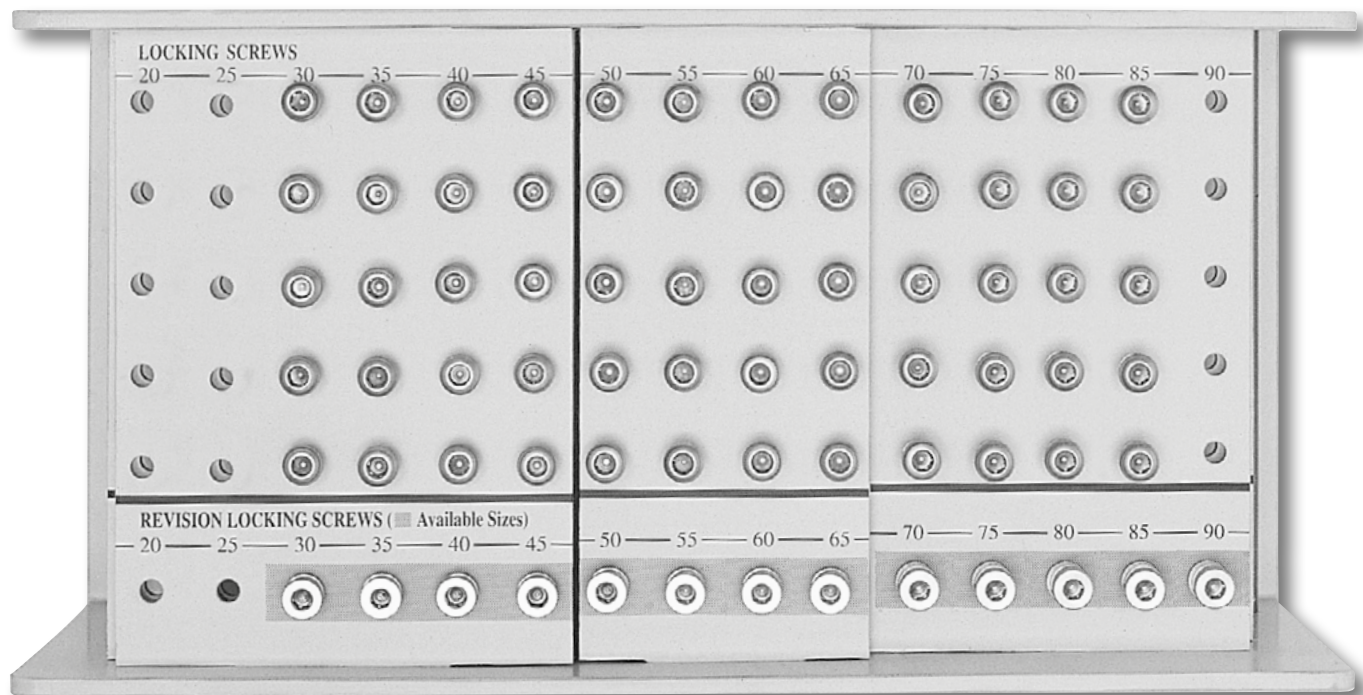
Can accommodate:

1x73134	Femoral Nail, 340x11mm
1x73136	Femoral Nail, 360x11mm
1x73138	Femoral Nail, 380x11mm
1x73140	Femoral Nail, 400x11mm
1x73142	Femoral Nail, 420x11mm
1x73144	Femoral Nail, 440x11mm
1x73146	Femoral Nail, 460x11mm
1x73234	Femoral Nail, 340x12mm
1x73236	Femoral Nail, 360x12mm
1x73238	Femoral Nail, 380x12mm
1x73240	Femoral Nail, 400x12mm
1x73242	Femoral Nail, 420x12mm
1x73244	Femoral Nail, 440x12mm
2x73901	Femoral Nail End Cap Short
2x73902	Femoral Nail End Cap Long

Space is available for Locking Screws



Sterilization Boxes



9

9 17304 Femoral Nail Locking Screws and Revision Locking Screws Sterilization Box, empty

Can accommodate:

- 5x73930 Locking Screw, 6/30mm, thread length 8mm
- 5x73935 Locking Screw, 6/35mm, thread length 8mm
- 5x73940 Locking Screw, 6/40mm, thread length 8mm
- 5x73945 Locking Screw, 6/45mm, thread length 8mm
- 5x73950 Locking Screw, 6/50mm, thread length 12mm
- 5x73955 Locking Screw, 6/55mm, thread length 12mm
- 5x73960 Locking Screw, 6/60mm, thread length 12mm
- 5x73965 Locking Screw, 6/65mm, thread length 12mm
- 5x73970 Locking Screw, 6/70mm, thread length 20mm
- 5x73975 Locking Screw, 6/75mm, thread length 20mm

- 5x73980 Locking Screw, 6/80mm, thread length 20mm
- 5x73985 Locking Screw, 6/85mm, thread length 20mm
- 5x73990 Locking Screw, 6/90mm, thread length 20mm
- 5x73995 Locking Screw, 6/95mm, thread length 20mm
- 1x74530 Rev. Lock. Screw, 8/30mm, thread length 7mm
- 1x74535 Rev. Lock. Screw, 8/35mm, thread length 7mm
- 1x74540 Rev. Lock. Screw, 8/40mm, thread length 7mm
- 1x74545 Rev. Lock. Screw, 8/45mm, thread length 7mm
- 1x74550 Rev. Lock. Screw, 8/50mm, thread length 9mm
- 1x74555 Rev. Lock. Screw, 8/55mm, thread length 9mm
- 1x74560 Rev. Lock. Screw, 8/60mm, thread length 9mm
- 1x74565 Rev. Lock. Screw, 8/65mm, thread length 9mm

- 1x74570 Rev. Lock. Screw, 8/70mm, thread length 12mm
- 1x74575 Rev. Lock. Screw, 8/75mm, thread length 12mm
- 1x74580 Rev. Lock. Screw, 8/80mm, thread length 12mm
- 1x74585 Rev. Lock. Screw, 8/85mm, thread length 12mm
- 1x74590 Rev. Lock. Screw, 8/90mm, thread length 12mm

