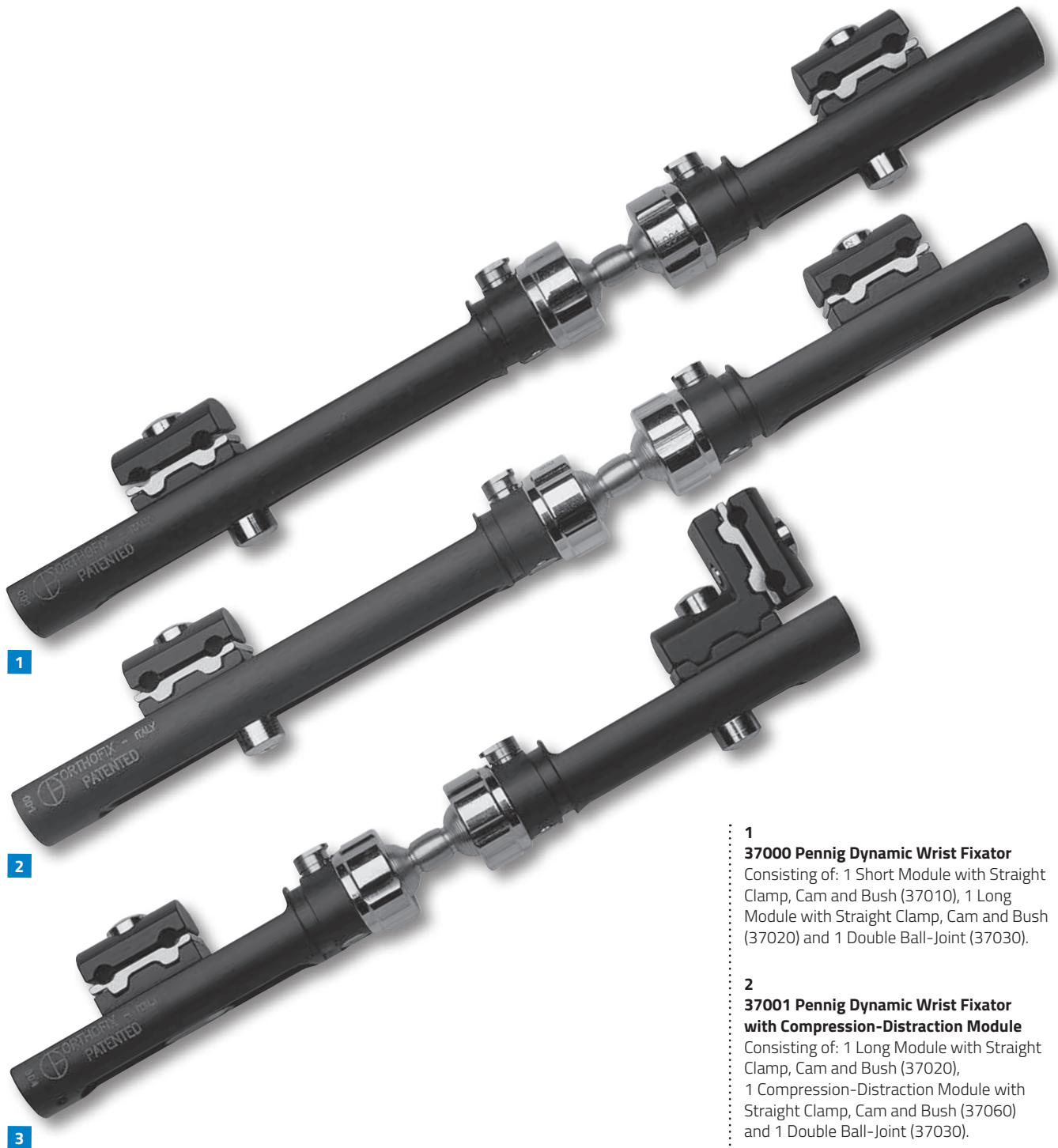


G. Pennig Dynamic Wrist Fixator (37000 Series)



1
37000 Pennig Dynamic Wrist Fixator
Consisting of: 1 Short Module with Straight Clamp, Cam and Bush (37010), 1 Long Module with Straight Clamp, Cam and Bush (37020) and 1 Double Ball-Joint (37030).

2
37001 Pennig Dynamic Wrist Fixator with Compression-Distraction Module
Consisting of: 1 Long Module with Straight Clamp, Cam and Bush (37020), 1 Compression-Distraction Module with Straight Clamp, Cam and Bush (37060) and 1 Double Ball-Joint (37030).

3
37002 Pennig Dynamic Wrist Fixator for extra-articular fractures and corrective osteotomies
Consisting of: 1 Short Module with T-Clamp, Cam and Bush (37011), 1 Compression-Distraction Module with Straight Clamp, Cam and Bush (37060), and 1 Double Ball-Joint (37030).

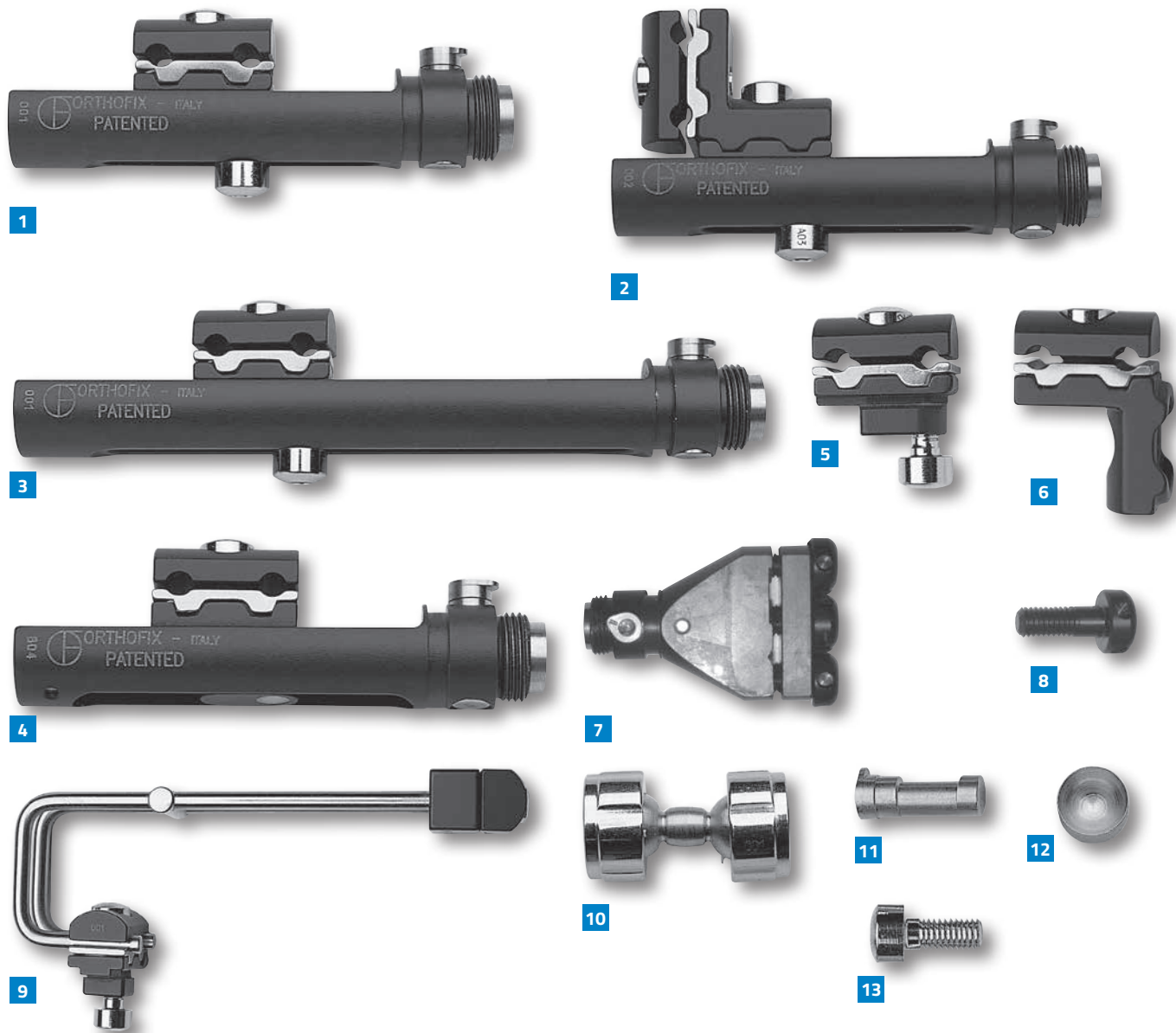
See Manual PM 100 "The Pennig Dynamic Wrist Fixator" and Quick Reference Guide PG 10 "The Pennig Dynamic Wrist Fixator - Part A: Trans-Articular Application; and Part B: Extra-Articular Application with the RadioLucent Wrist Clamp" for application instructions.



Manufactured by:
ORTHOFIX Srl
Via Delle Nazioni 9, 37012 Bussolengo (Verona), Italy
Telephone +39 045 6719000, Fax +39 045 6719380



1. Components/Replacements



1
37010 Pennig Dynamic Wrist Fixator - Short Module
 With Straight Clamp, Cam and Bush

2
37011 Pennig Dynamic Wrist Fixator - Short Module
 With T-Clamp, Cam and Bush

3
37020 Pennig Dynamic Wrist Fixator - Long Module
 With Straight Clamp, Cam and Bush

4
37060 Pennig Dynamic Wrist Fixator - Compression-Distraction Module
 With Straight Clamp, Cam and Bush

5
37040 Pennig Dynamic Wrist Fixator - Straight Clamp

6
37090 Pennig Dynamic Wrist Fixator - T-Clamp

7
37070 Extra-articular Radiolucent Wrist Clamp

8
37071 Extra-articular Radiolucent Wrist Clamp Screw Re-use Kit
 (set of 3)

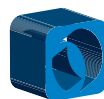
9
37050 Pennig Dynamic Wrist Fixator - Ulnar Outrigger Clamp

10
37030 Pennig Dynamic Wrist Fixator - Double Ball-Joint

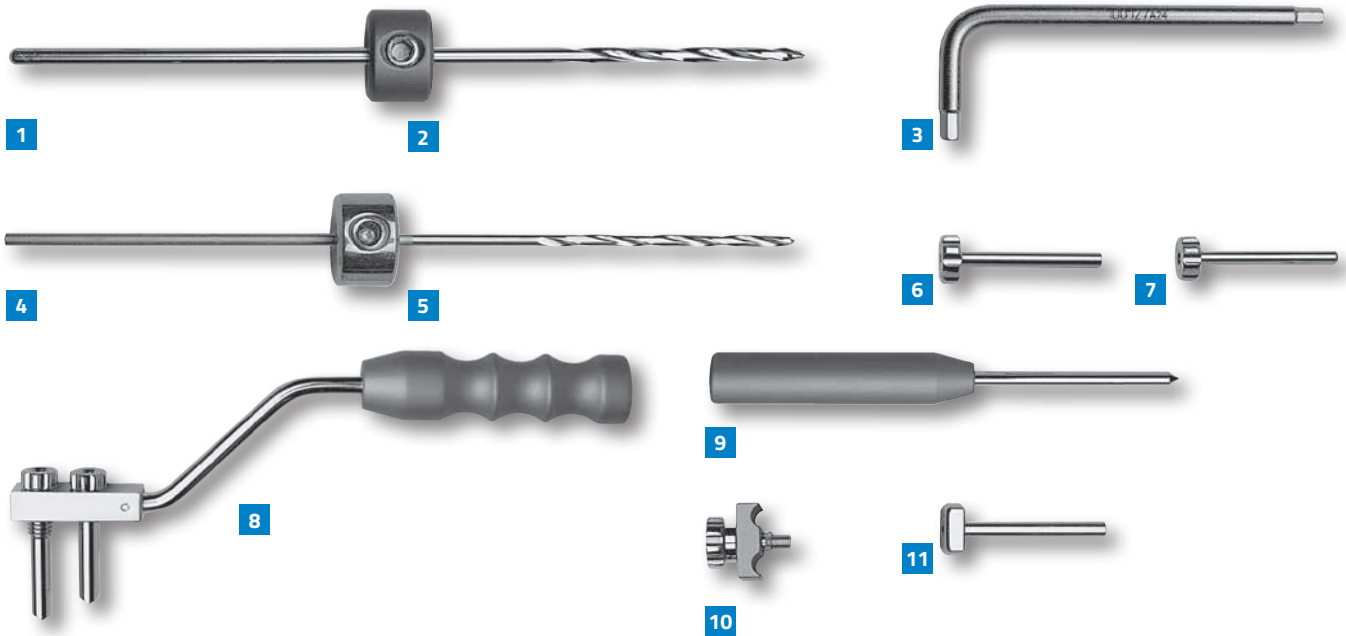
11
37004 Pennig Dynamic Wrist Fixator - Cam

12
37005 Pennig Dynamic Wrist Fixator - Bush

13
37080 Pennig Dynamic Wrist Fixator - Clamp Cover/Anchoring Screw
37006 Pennig Dynamic Wrist Fixator - Re-Pack Kit
 Consisting of: 2 Cams, 2 Bushes, and 4 Clamp Cover/Anchoring Screws



2. Instrumentation



1
1355001 Drill Bit Ø 2.7mm
 Length 127mm
 For Ø 3.3-3mm Pennig wrist cortical screws.

13550 Drill Bit Kit Ø 2.7mm
 Consisting of: 1 Drill Bit Ø 2.7mm,
 1 Drill Bit Stop Unit Ø 2.7/2.9mm and
 1 Allen Wrench 3mm

2
13005 Drill Bit Stop Unit Ø 2.7/2.9mm

3
10012 Allen Wrench 3mm

4
1355101 Drill Bit Ø 2.0mm
 Length 127mm
 For Ø 3-2.5mm Pennig wrist cortical screws

13551 Drill Bit Kit Ø 2.0mm
 Consisting of: 1 Drill Bit Ø 2.0mm,
 1 Drill Bit Stop Unit Ø 2.0mm and
 1 Allen Wrench 3mm

5
13552 Drill Bit Stop Unit Ø 2.0mm

6
13530 Drill Guide Ø 2.7mm

7
13531 Drill Guide Ø 2.0mm

13555 Special Kit for small metacarpals
 Consisting of: 1 Drill Bit Ø 2.0mm,
 1 Drill Bit Stop Unit Ø 2.0mm,
 1 Allen Wrench 3mm, 1 Drill Guide
 Ø 2.0mm and 4 Pennig Wrist Cortical Screws,
 shaft Ø 4mm, thread Ø 3-2.5mm, total length
 70mm, thread length 20mm (35156). See sec-
 tion "Bone Screws"



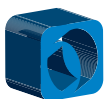
8
13520 Template with Handle

9
13540 Tapered Trocar

10
**13710 Pennig Dynamic Wrist Fixator-
 Template Conversion Clamp**

**13700 Pennig Dynamic Wrist Fixator Assem-
 bly Template Kit**
 Consisting of: 2 Templates with Handle,
 2 Drill Guides Ø 2.7mm, 1 Tapered Trocar and 2
 Template Conversion Clamps

11
13532 Pilot Wire Guide Ø 1.6mm
 For insertion of X-Wires



Instrumentation



12



13

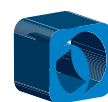


14

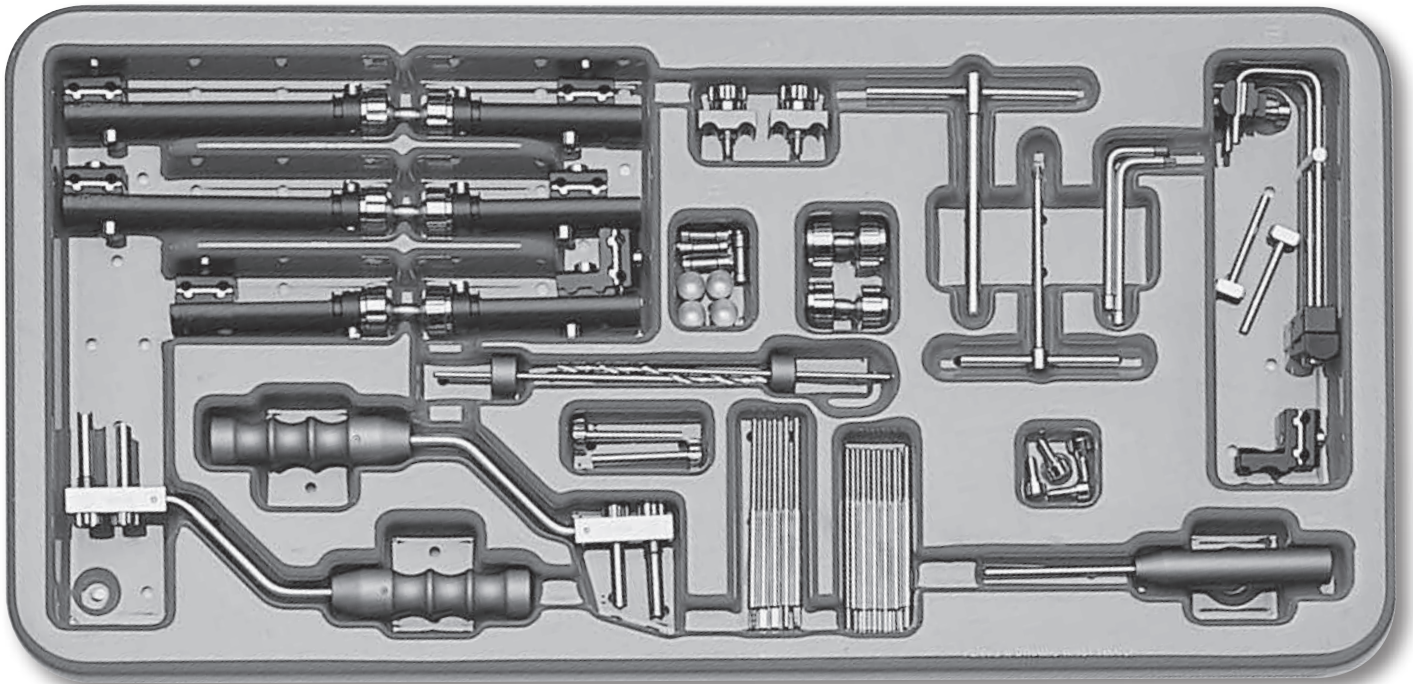
12
13715 K-Wire \varnothing 1.5mm (pack of 2)
Length 150mm

13
13570 T-Wrench
For Clamp Screws

14
M210 T-Wrench
For Bone Screws



3. Sterilization Box



1

1
13760 Pennig Dynamic Wrist Fixator
Sterilization Box, empty

Can accommodate:

2x37000	Pennig Dynamic Wrist Fixator or	5x35101	Pennig Wrist Cortical Screw, shaft Ø 4mm, thread Ø 3.3-3mm, total length 80mm, thread length 35mm
2x37001	Pennig Dynamic Wrist Fixator with Compression-Distracton Module	12x35100	Pennig Wrist Cortical Screw, shaft Ø 4mm, thread Ø 3.3-3mm, total length 70mm, thread length 20mm
1x37002	Pennig Dynamic Wrist Fixator for extra-articular fractures and corrective osteotomies	1xM210	T-Wrench for Bone Screws
2x13520	Template with Handle	1x13570	T-Wrench for Clamp Screws
2x13710	Pennig Dynamic Wrist Fixator - Template/ Conversion Clamp	4x37080	Pennig Dynamic Wrist Fixator - Clamp Cover/Anchoring Screw
2x37030	Pennig Dynamic Wrist Fixator - Double Ball-Joint	1x13540	Tapered Trocar
4x37005	Pennig Dynamic Wrist Fixator - Bush	2x13532	Pilot Wire Guide Ø 1.6mm
4x37004	Pennig Dynamic Wrist Fixator - Cam	1x37090	Pennig Dynamic Wrist Fixator - T-Clamp
2x13550	Drill Bit Kit Ø 2.7mm Consisting of: 1 Drill Bit Ø 2.7mm, 1 Drill Bit Stop Unit Ø 2.9mm and 1 Allen Wrench 3mm	1x37050	Pennig Dynamic Wrist Fixator - Ulnar Outrigger Clamp
2x13530	Drill Guide Ø 2.7mm	1x37070	Extra-articular RadioLucent Wrist Clamp (not illustrated)

