

E. Pelvic Fixator



Pelvic Fixator Kits

1 10082 Short Fixator with ProCallus T-Clamps

Consisting of: 2 Primary Links (10087),
1 Pelvic Fixator Connecting Unit (10089),
2 Cams (10004), 2 Bushes (90005),
2 ProCallus T-Clamps (90007) and
1 Allen Wrench 6mm (10017)

2 10081 Long Fixator with ProCallus Straight Clamps

Consisting of: 2 Primary Links (10087),
1 Pelvic Fixator Supplementary Link (10088),
2 Pelvic Fixator Connecting Units (10089),
2 Cams (10004), 2 Bushes (90005),
2 ProCallus Straight Clamps (90006) and
1 Allen Wrench 6mm (10017).

3 10083 Long Fixator with Ball-Jointed Modules for Independent Screw Placement

Consisting of: 2 Primary Links (10087), 1 Pelvic
Fixator Supplementary Link (10088), 2 Pelvic
Fixator Connecting Units (10089), 2 Cams
(10004), 2 Bushes (90005), 2 Ball-Jointed Mod-
ules for Independent Screw Placement (10054)
and 1 Allen Wrench 6mm (10017).

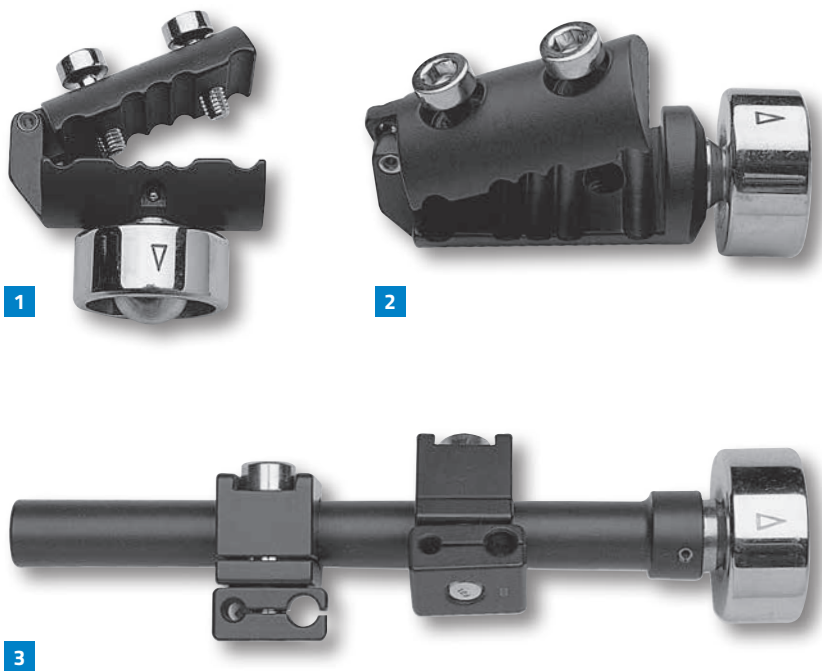
See Manual PM 080 and Quick Reference Guide
PG 080 "Pelvic Applications: Fractures and Dis-
ruptions of the Pelvic Ring" for
application instructions.



Manufactured by:
ORTHOFIX Srl
Via Delle Nazioni 9, 37012 Bussolengo (Verona), Italy
Telephone +39 045 6719000, Fax +39 045 6719380



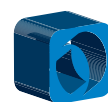
1. Ball-Jointed Modules



1
90007 ProCallus T-Clamp
For anterior applications.
Acts as its own template for insertion
of screws between the inferior and
superior iliac spines.

2
90006 ProCallus Straight Clamp
For iliac crest applications.
Acts as its own template for insertion
of screws into the iliac crest.

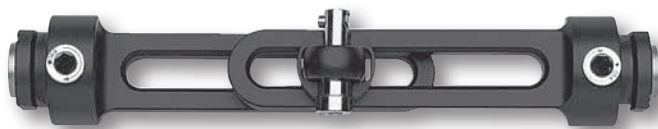
3
**10054 Ball-Jointed Module for
Independent Screw Placement**
For iliac crest applications.
Consisting of: 1 Bar with Ball-Joint
and 2 Independent Screw Clamps.
Enables screws to be placed freehand
in chosen positions on the iliac crest.



2. Components/Replacements



1



2



3



4



5



6



7



8

1
10085 Pelvic Fixator Long Body
Consisting of: 2 Primary Links, 1 Pelvic Fixator Supplementary Link, 2 Pelvic Fixator Connecting Units, 2 Cams and 2 Bushes
Maximum linear extension = 127mm

2
10086 Pelvic Fixator Short Body
Consisting of: 2 Primary Links, 1 Pelvic Fixator Connecting Unit, 2 Cams and 2 Bushes
Maximum linear extension = 77mm

3
90005 Bush

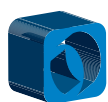
4
10004 Cam

5
10089 Pelvic Fixator Connecting Unit

6
10087 Primary Link

7
10088 Pelvic Fixator Supplementary Link

8
10055 Independent Screw Clamp



3. Instrumentation



1



2



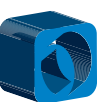
3

1
11141 Pelvic Screw Guide
Length 100mm.
To prevent penetration of the inner or outer table of the ilium during screw insertion in iliac crest applications.

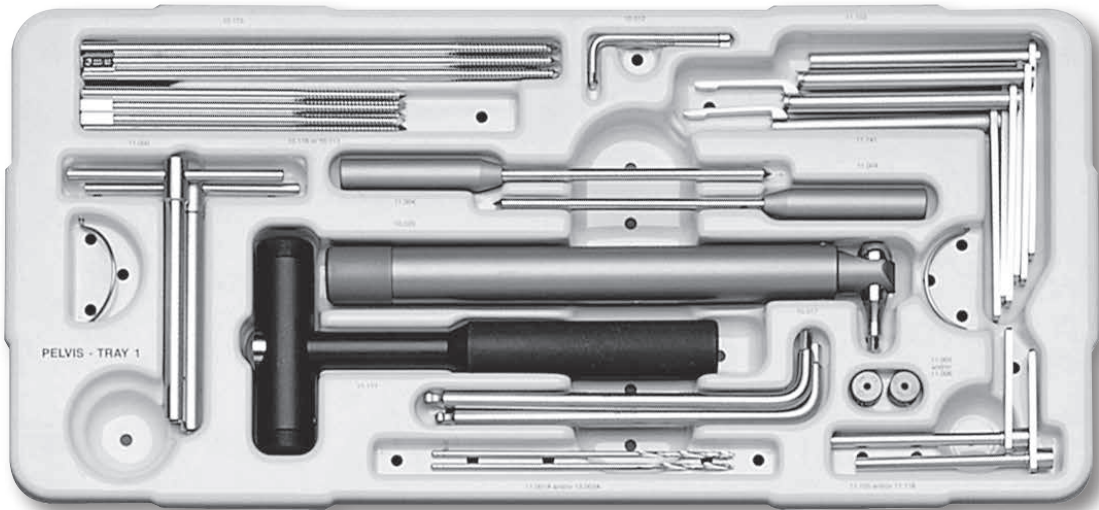
2
10017 Allen Wrench 6mm

3
10025 Torque Wrench 6mm
ONLY used for locking the cams of the ball-joints; it should be rotated clockwise until a click is heard

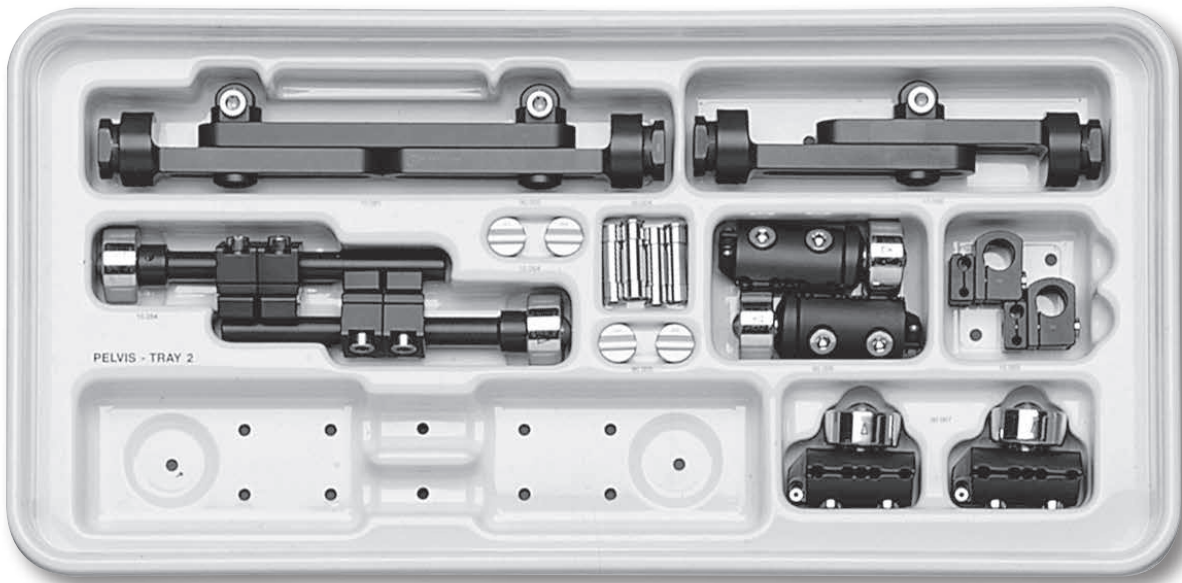
Note: See also instrumentation for bone screw insertion (section "Bone Screws")



4. Sterilization Box



1



1 12262 Pelvic Fixator Sterilization Box, empty

Can accommodate:

Upper Tray

- 6x10173 Self-drilling Cortical Screw, shaft \varnothing 6mm, thread \varnothing 6-5mm, total length 220mm, thread length 50mm
- 6x10113 Self-drilling Cortical Screw, shaft \varnothing 6mm, thread \varnothing 6-5mm, total length 150mm, thread length 50mm
- 4x11102 Screw Guide, length 60mm
or
- 4x11103 Screw Guide, length 100mm
- 2x11141 Pelvic Screw Guide, length 100mm
- 2x11000 T-Wrench
- 2x11004 Tapered Trocar
- 1x10025 Torque Wrench 6mm
- 1x11111 Hammer

- 2x10017 Allen Wrench 6mm
- 2x13003 Drill Bit Kit \varnothing 3.2mm
Consisting of: 1 Drill Bit 140mm \varnothing 3.2mm; 1 Drill Bit Stop Unit \varnothing 3.2mm; 1 Allen Wrench 3mm
- 2x11106 Drill Guide, \varnothing 3.2mm, length 40mm
or
- 2x11116 Drill Guide, \varnothing 3.2mm, length 80mm

Lower Tray

- 1x10085 Pelvic Fixator Long Body Assembled
Consisting of: 2 Primary Links; 1 Pelvic Fixator Supplementary Link; 2 Pelvic Fixator Connecting Units; 2 Cams; 2 Bushes
- 1x10086 Pelvic Fixator Short Body Assembled
Consisting of: 2 Primary Links; 1 Pelvic Fixator Connecting Units; 2 Cams; 2 Bushes

- 2x10054 Ball-Jointed Module for Independent Screw Placement
- 2x10055 Independent Screw Clamp
- 2x90006 ProCallus Straight Clamp
- 2x90007 ProCallus T-Clamp

Free space is available for other accessories



PELVIC FIXATOR