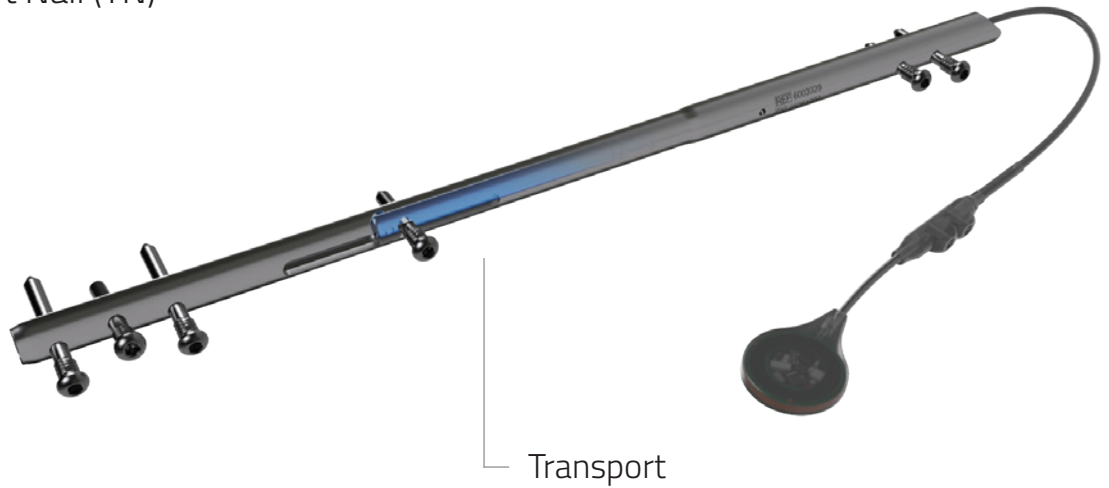


# O. Fitbone™ Transport and Lengthening System

## Two Different Nail Configurations

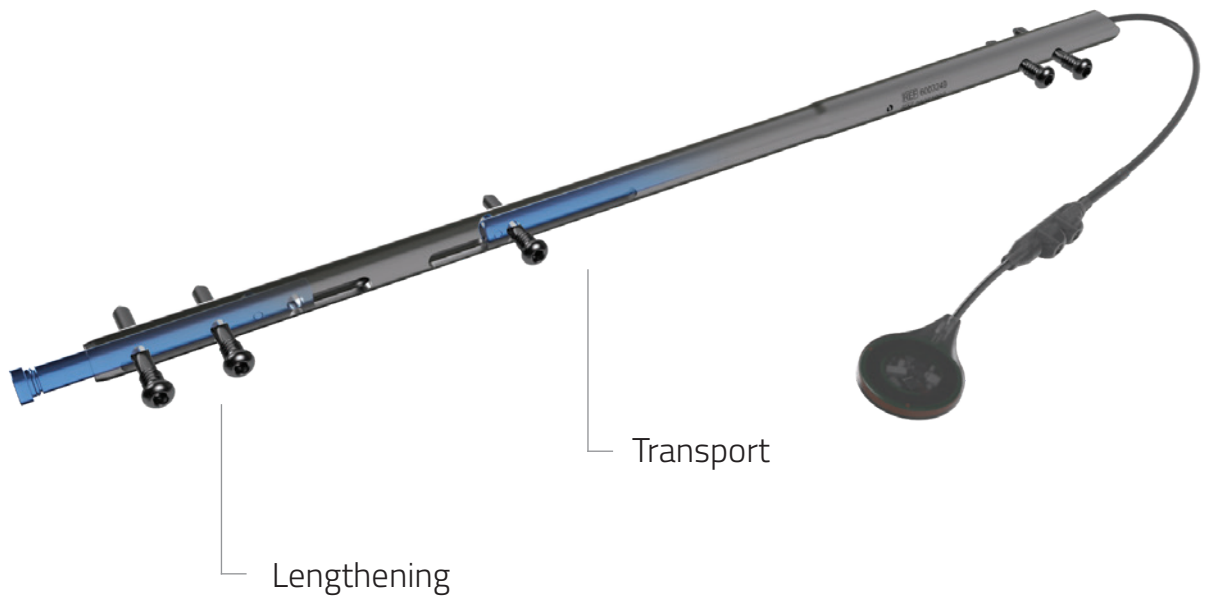
### Fitbone Transport Nail (TN)

- Femur Antegrade
- Femur Retrograde
- Tibia



### Fitbone Transport and Lengthening Nail (TLN)

- Femur
- Tibia



- 1. Fitbone Transport and Lengthening System Antegrade Femur Application**  
see Operative Technique FB-2302-OPT.
- 2. Fitbone Transport and Lengthening System Retrograde Femur Application**  
see Operative Technique FB-2307-OPT.
- 3. Fitbone Transport and Lengthening System Tibia Application**  
see Operative Technique FB-2303-OPT.



Manufactured by:  
**ORTHOFIX Srl**  
Via Delle Nazioni 9, 37012 Bussolengo (Verona), Italy  
Telephone +39 045 6719000, Fax +39 045 6719380



# 1. Fitbone Transport and Lengthening System Nail Types

The Fitbone™ Transport and Lengthening System consists of two main implant configurations:

## Fitbone Transport Nails (Fitbone TN)



Fitbone TN Femur Antegrade



Fitbone TN Femur Retrograde



Fitbone TN Tibia

## Fitbone Transport and Lengthening Nails (Fitbone TLN)



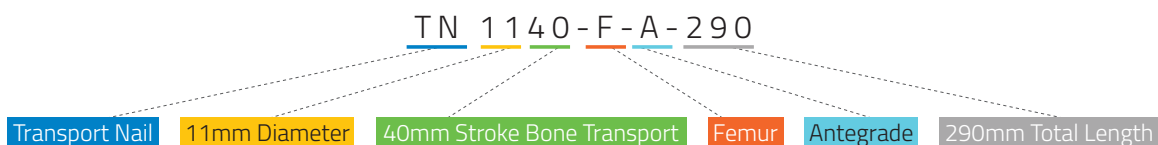
Fitbone TLN Femur



Fitbone TLN Tibia

Fitbone TN and TLN are made of Stainless Steel (AISI 316LVM).

## Product Description Naming Guide



### Transport Nail

#### Femur

TN 1140-F-A-290 = Transport Nail-11mm Diameter-40mm Stroke Bone Transport-Femur-Antegrade-290mm Total Length

TN 1140-F-R-290 = Transport Nail-11mm Diameter-40mm Stroke Bone Transport-Femur-Retrograde-290mm Total Length

#### Tibia

TN 1140-T-290 = Transport Nail-11mm Diameter-40mm Stroke Bone Transport-Tibia-290mm Total Length

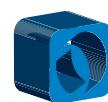
### Transport and Lengthening Nail

#### Femur

TLN 1140-F-20-290 = Transport and Lengthening Nail-11mm Diameter-40mm Stroke Bone Transport-Femur-20mm Stroke Lengthening-290mm Total Length

#### Tibia

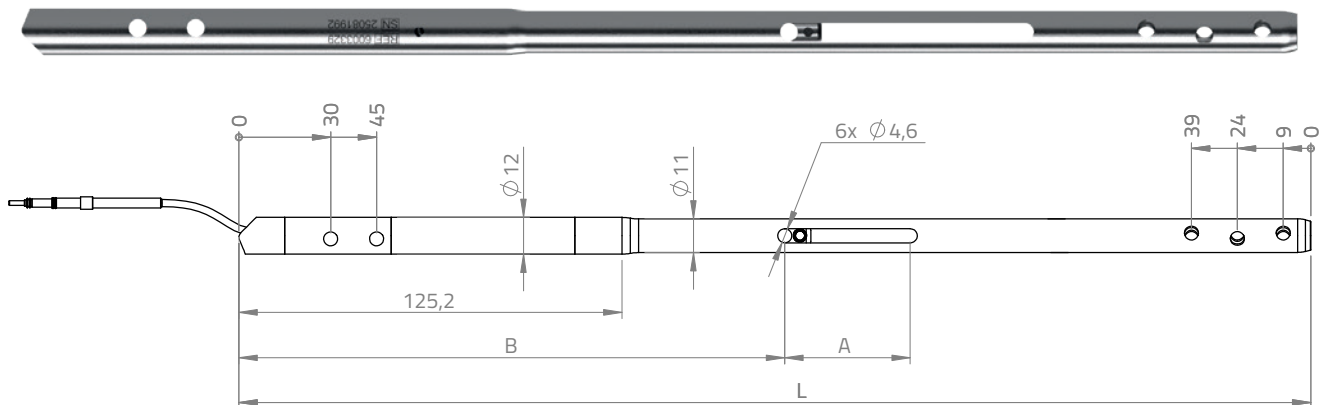
TLN 1140-T-20-290 = Transport and Lengthening Nail-11mm Diameter-40mm Stroke Bone Transport-Tibia-20mm Stroke Lengthening-290mm Total Length



## 2. Fitbone Transport Nail Configurations (Fitbone TN)

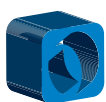
The following configurations of the implantable Fitbone Transport and Lengthening System are commercially available in the US.

Femur Antegrade TN  $\phi 11\text{mm}$



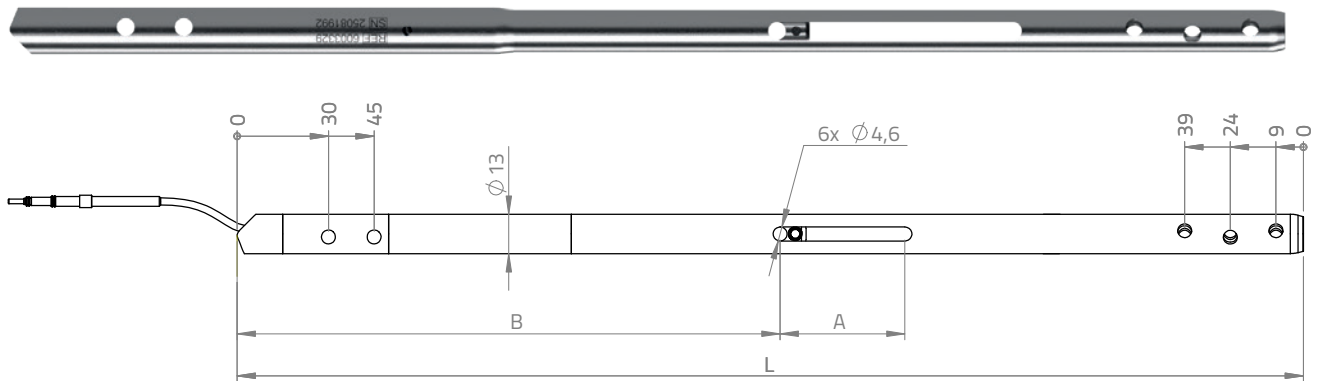
| Nail Part # | Description                     | Diameter (mm) | Stroke bone transport (A) (mm) | Length (L) (mm) | (B) (mm) | TRIAL Nail Part #* |
|-------------|---------------------------------|---------------|--------------------------------|-----------------|----------|--------------------|
| 99-60003318 | Fitbone TN 1140-F-A-290 STERILE | 11            | 40                             | 290             | 178      | 99-60003709        |
| 99-60003319 | Fitbone TN 1140-F-A-310 STERILE | 11            | 40                             | 310             | 178      | 99-60003710        |
| 99-60003320 | Fitbone TN 1140-F-A-330 STERILE | 11            | 40                             | 330             | 178      | 99-60003711        |
| 99-60003321 | Fitbone TN 1140-F-A-350 STERILE | 11            | 40                             | 350             | 178      | 99-60003712        |
| 99-60003322 | Fitbone TN 1140-F-A-370 STERILE | 11            | 40                             | 370             | 178      | 99-60003713        |
| 99-60003323 | Fitbone TN 1140-F-A-390 STERILE | 11            | 40                             | 390             | 178      | 99-60003714        |
| 99-60003324 | Fitbone TN 1140-F-A-410 STERILE | 11            | 40                             | 410             | 178      | 99-60003715        |
| 99-60003325 | Fitbone TN 1140-F-A-430 STERILE | 11            | 40                             | 430             | 178      | 99-60003716        |
| 99-60003326 | Fitbone TN 1140-F-A-450 STERILE | 11            | 40                             | 450             | 178      | 99-60003717        |
| 99-60003329 | Fitbone TN 1160-F-A-330 STERILE | 11            | 60                             | 330             | 198      | 99-60003720        |
| 99-60003330 | Fitbone TN 1160-F-A-350 STERILE | 11            | 60                             | 350             | 198      | 99-60003721        |
| 99-60003331 | Fitbone TN 1160-F-A-370 STERILE | 11            | 60                             | 370             | 198      | 99-60003722        |
| 99-60003332 | Fitbone TN 1160-F-A-390 STERILE | 11            | 60                             | 390             | 198      | 99-60003723        |
| 99-60003333 | Fitbone TN 1160-F-A-410 STERILE | 11            | 60                             | 410             | 198      | 99-60003724        |
| 99-60003334 | Fitbone TN 1160-F-A-430 STERILE | 11            | 60                             | 430             | 198      | 99-60003725        |
| 99-60003335 | Fitbone TN 1160-F-A-450 STERILE | 11            | 60                             | 450             | 198      | 99-60003726        |
| 99-60003338 | Fitbone TN 1180-F-A-370 STERILE | 11            | 80                             | 370             | 218      | 99-60003729        |
| 99-60003339 | Fitbone TN 1180-F-A-390 STERILE | 11            | 80                             | 390             | 218      | 99-60003730        |
| 99-60003340 | Fitbone TN 1180-F-A-410 STERILE | 11            | 80                             | 410             | 218      | 99-60003731        |
| 99-60003341 | Fitbone TN 1180-F-A-430 STERILE | 11            | 80                             | 430             | 218      | 99-60003732        |
| 99-60003342 | Fitbone TN 1180-F-A-450 STERILE | 11            | 80                             | 450             | 218      | 99-60003733        |

\*Note: Products may not be available in all markets because product availability is subject to the regulatory and/or medical practices in individual markets. Please contact your Orthofix representatives if you have any questions about the availability of Orthofix products in your area.



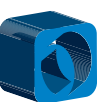
# Fitbone Transport Nail Configurations (Fitbone TN)

## Femur Antegrade TN $\phi$ 13mm



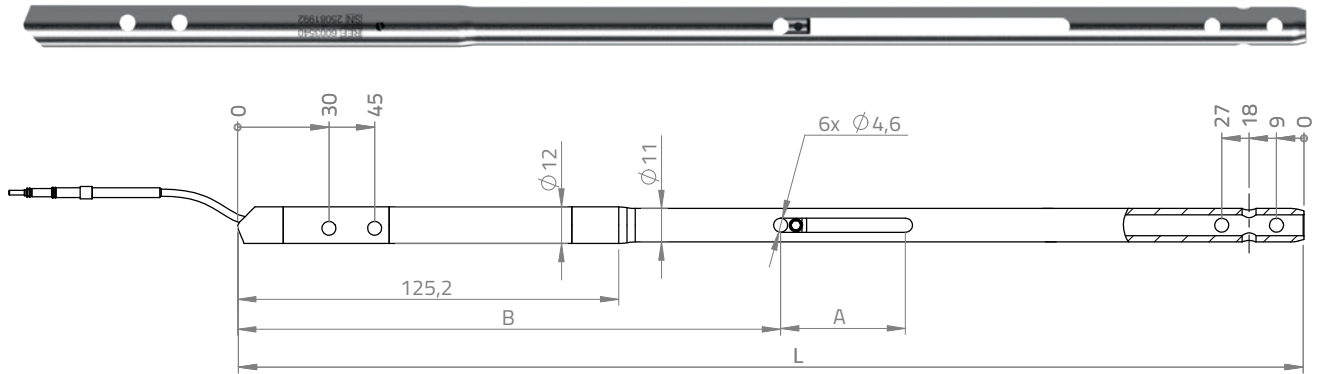
| Nail Part # | Description                     | Diameter (mm) | Stroke bone transport (A) (mm) | Length (L) (mm) | (B) (mm) | TRIAL Nail Part #* |
|-------------|---------------------------------|---------------|--------------------------------|-----------------|----------|--------------------|
| 99-60003345 | Fitbone TN 1340-F-A-290 STERILE | 13            | 40                             | 290             | 178      | 99-60003736        |
| 99-60003346 | Fitbone TN 1340-F-A-310 STERILE | 13            | 40                             | 310             | 178      | 99-60003737        |
| 99-60003347 | Fitbone TN 1340-F-A-330 STERILE | 13            | 40                             | 330             | 178      | 99-60003738        |
| 99-60003348 | Fitbone TN 1340-F-A-350 STERILE | 13            | 40                             | 350             | 178      | 99-60003739        |
| 99-60003349 | Fitbone TN 1340-F-A-370 STERILE | 13            | 40                             | 370             | 178      | 99-60003740        |
| 99-60003350 | Fitbone TN 1340-F-A-390 STERILE | 13            | 40                             | 390             | 178      | 99-60003741        |
| 99-60003351 | Fitbone TN 1340-F-A-410 STERILE | 13            | 40                             | 410             | 178      | 99-60003742        |
| 99-60003352 | Fitbone TN 1340-F-A-430 STERILE | 13            | 40                             | 430             | 178      | 99-60003743        |
| 99-60003353 | Fitbone TN 1340-F-A-450 STERILE | 13            | 40                             | 450             | 178      | 99-60003744        |
| 99-60003356 | Fitbone TN 1360-F-A-330 STERILE | 13            | 60                             | 330             | 198      | 99-60003747        |
| 99-60003357 | Fitbone TN 1360-F-A-350 STERILE | 13            | 60                             | 350             | 198      | 99-60003748        |
| 99-60003358 | Fitbone TN 1360-F-A-370 STERILE | 13            | 60                             | 370             | 198      | 99-60003749        |
| 99-60003359 | Fitbone TN 1360-F-A-390 STERILE | 13            | 60                             | 390             | 198      | 99-60003750        |
| 99-60003360 | Fitbone TN 1360-F-A-410 STERILE | 13            | 60                             | 410             | 198      | 99-60003751        |
| 99-60003361 | Fitbone TN 1360-F-A-430 STERILE | 13            | 60                             | 430             | 198      | 99-60003752        |
| 99-60003362 | Fitbone TN 1360-F-A-450 STERILE | 13            | 60                             | 450             | 198      | 99-60003753        |
| 99-60003365 | Fitbone TN 1380-F-A-370 STERILE | 13            | 80                             | 370             | 218      | 99-60003756        |
| 99-60003366 | Fitbone TN 1380-F-A-390 STERILE | 13            | 80                             | 390             | 218      | 99-60003757        |
| 99-60003367 | Fitbone TN 1380-F-A-410 STERILE | 13            | 80                             | 410             | 218      | 99-60003758        |
| 99-60003368 | Fitbone TN 1380-F-A-430 STERILE | 13            | 80                             | 430             | 218      | 99-60003759        |
| 99-60003369 | Fitbone TN 1380-F-A-450 STERILE | 13            | 80                             | 450             | 218      | 99-60003760        |

\*Note: Products may not be available in all markets because product availability is subject to the regulatory and/or medical practices in individual markets. Please contact your Orthofix representatives if you have any questions about the availability of Orthofix products in your area.



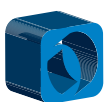
# Fitbone Transport Nail Configurations (Fitbone TN)

Femur Retrograde TN  $\phi$ 11mm



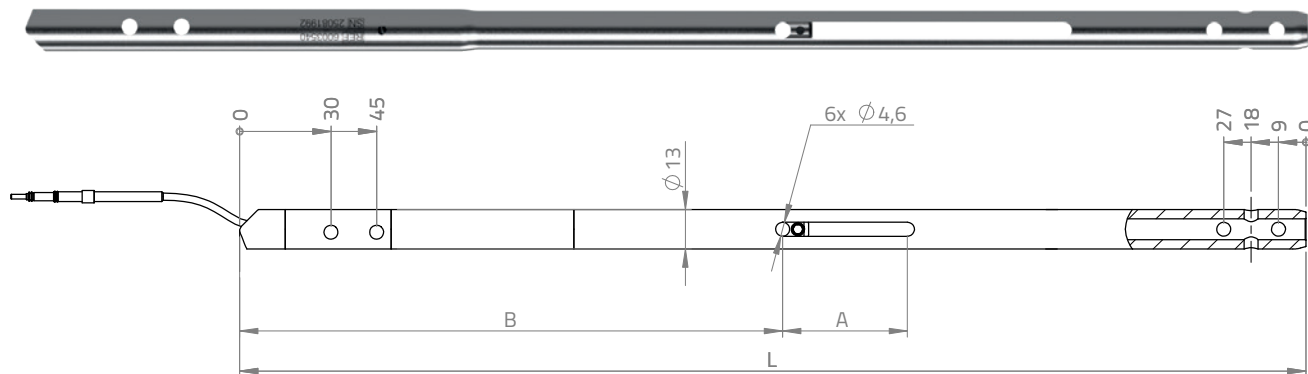
| Nail Part # | Description                     | Diameter (mm) | Stroke bone transport (A) (mm) | Length (L) (mm) | (B) (mm) | TRIAL Nail Part #* |
|-------------|---------------------------------|---------------|--------------------------------|-----------------|----------|--------------------|
| 99-60003520 | Fitbone TN 1140-F-R-290 STERILE | 11            | 40                             | 290             | 178      | 99-60003763        |
| 99-60003521 | Fitbone TN 1140-F-R-310 STERILE | 11            | 40                             | 310             | 178      | 99-60003764        |
| 99-60003522 | Fitbone TN 1140-F-R-330 STERILE | 11            | 40                             | 330             | 178      | 99-60003765        |
| 99-60003523 | Fitbone TN 1140-F-R-350 STERILE | 11            | 40                             | 350             | 178      | 99-60003766        |
| 99-60003524 | Fitbone TN 1140-F-R-370 STERILE | 11            | 40                             | 370             | 178      | 99-60003767        |
| 99-60003525 | Fitbone TN 1140-F-R-390 STERILE | 11            | 40                             | 390             | 178      | 99-60003768        |
| 99-60003526 | Fitbone TN 1140-F-R-410 STERILE | 11            | 40                             | 410             | 178      | 99-60003769        |
| 99-60003527 | Fitbone TN 1140-F-R-430 STERILE | 11            | 40                             | 430             | 178      | 99-60003770        |
| 99-60003528 | Fitbone TN 1140-F-R-450 STERILE | 11            | 40                             | 450             | 178      | 99-60003771        |
| 99-60003531 | Fitbone TN 1160-F-R-330 STERILE | 11            | 60                             | 330             | 198      | 99-60003774        |
| 99-60003532 | Fitbone TN 1160-F-R-350 STERILE | 11            | 60                             | 350             | 198      | 99-60003775        |
| 99-60003533 | Fitbone TN 1160-F-R-370 STERILE | 11            | 60                             | 370             | 198      | 99-60003776        |
| 99-60003534 | Fitbone TN 1160-F-R-390 STERILE | 11            | 60                             | 390             | 198      | 99-60003777        |
| 99-60003535 | Fitbone TN 1160-F-R-410 STERILE | 11            | 60                             | 410             | 198      | 99-60003778        |
| 99-60003536 | Fitbone TN 1160-F-R-430 STERILE | 11            | 60                             | 430             | 198      | 99-60003779        |
| 99-60003537 | Fitbone TN 1160-F-R-450 STERILE | 11            | 60                             | 450             | 198      | 99-60003780        |
| 99-60003540 | Fitbone TN 1180-F-R-370 STERILE | 11            | 80                             | 370             | 218      | 99-60003783        |
| 99-60003541 | Fitbone TN 1180-F-R-390 STERILE | 11            | 80                             | 390             | 218      | 99-60003784        |
| 99-60003542 | Fitbone TN 1180-F-R-410 STERILE | 11            | 80                             | 410             | 218      | 99-60003785        |
| 99-60003543 | Fitbone TN 1180-F-R-430 STERILE | 11            | 80                             | 430             | 218      | 99-60003786        |
| 99-60003544 | Fitbone TN 1180-F-R-450 STERILE | 11            | 80                             | 450             | 218      | 99-60003787        |

\*Note: Products may not be available in all markets because product availability is subject to the regulatory and/or medical practices in individual markets. Please contact your Orthofix representatives if you have any questions about the availability of Orthofix products in your area.



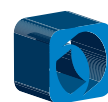
# Fitbone Transport Nail Configurations (Fitbone TN)

## Femur Retrograde TN $\phi 13\text{mm}$



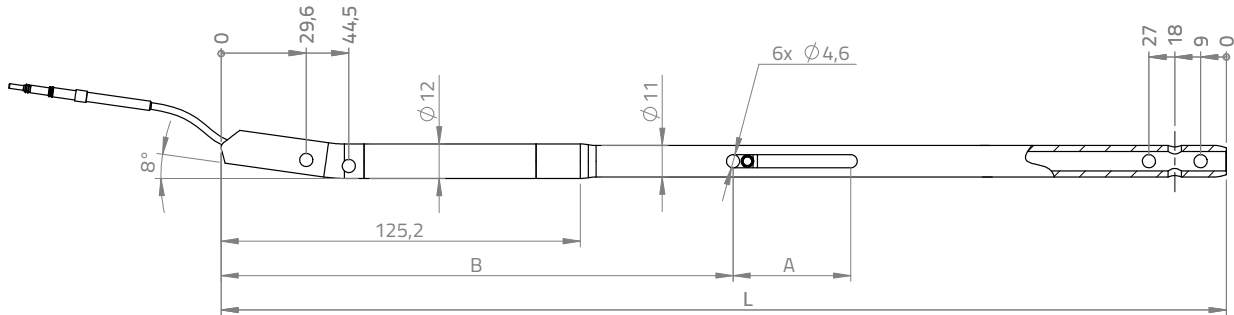
| Nail Part # | Description                     | Diameter (mm) | Stroke bone transport (A) (mm) | Length (L) (mm) | (B) (mm) | TRIAL Nail Part #* |
|-------------|---------------------------------|---------------|--------------------------------|-----------------|----------|--------------------|
| 99-60003547 | Fitbone TN 1340-F-R-290 STERILE | 13            | 40                             | 290             | 178      | 99-60003790        |
| 99-60003548 | Fitbone TN 1340-F-R-310 STERILE | 13            | 40                             | 310             | 178      | 99-60003791        |
| 99-60003549 | Fitbone TN 1340-F-R-330 STERILE | 13            | 40                             | 330             | 178      | 99-60003792        |
| 99-60003550 | Fitbone TN 1340-F-R-350 STERILE | 13            | 40                             | 350             | 178      | 99-60003793        |
| 99-60003551 | Fitbone TN 1340-F-R-370 STERILE | 13            | 40                             | 370             | 178      | 99-60003794        |
| 99-60003552 | Fitbone TN 1340-F-R-390 STERILE | 13            | 40                             | 390             | 178      | 99-60003795        |
| 99-60003553 | Fitbone TN 1340-F-R-410 STERILE | 13            | 40                             | 410             | 178      | 99-60003796        |
| 99-60003554 | Fitbone TN 1340-F-R-430 STERILE | 13            | 40                             | 430             | 178      | 99-60003797        |
| 99-60003555 | Fitbone TN 1340-F-R-450 STERILE | 13            | 40                             | 450             | 178      | 99-60003798        |
| 99-60003558 | Fitbone TN 1360-F-R-330 STERILE | 13            | 60                             | 330             | 198      | 99-60003801        |
| 99-60003559 | Fitbone TN 1360-F-R-350 STERILE | 13            | 60                             | 350             | 198      | 99-60003802        |
| 99-60003560 | Fitbone TN 1360-F-R-370 STERILE | 13            | 60                             | 370             | 198      | 99-60003803        |
| 99-60003561 | Fitbone TN 1360-F-R-390 STERILE | 13            | 60                             | 390             | 198      | 99-60003804        |
| 99-60003562 | Fitbone TN 1360-F-R-410 STERILE | 13            | 60                             | 410             | 198      | 99-60003805        |
| 99-60003563 | Fitbone TN 1360-F-R-430 STERILE | 13            | 60                             | 430             | 198      | 99-60003806        |
| 99-60003564 | Fitbone TN 1360-F-R-450 STERILE | 13            | 60                             | 450             | 198      | 99-60003807        |
| 99-60003567 | Fitbone TN 1380-F-R-370 STERILE | 13            | 80                             | 370             | 210      | 99-60003810        |
| 99-60003568 | Fitbone TN 1380-F-R-390 STERILE | 13            | 80                             | 390             | 210      | 99-60003811        |
| 99-60003569 | Fitbone TN 1380-F-R-410 STERILE | 13            | 80                             | 410             | 210      | 99-60003812        |
| 99-60003570 | Fitbone TN 1380-F-R-430 STERILE | 13            | 80                             | 430             | 210      | 99-60003813        |
| 99-60003571 | Fitbone TN 1380-F-R-450 STERILE | 13            | 80                             | 450             | 210      | 99-60003814        |

**\*Note:** Products may not be available in all markets because product availability is subject to the regulatory and/or medical practices in individual markets. Please contact your Orthofix representatives if you have any questions about the availability of Orthofix products in your area.



# Fitbone Transport Nail Configurations (Fitbone TN)

Tibia TN  $\phi 11\text{mm}$



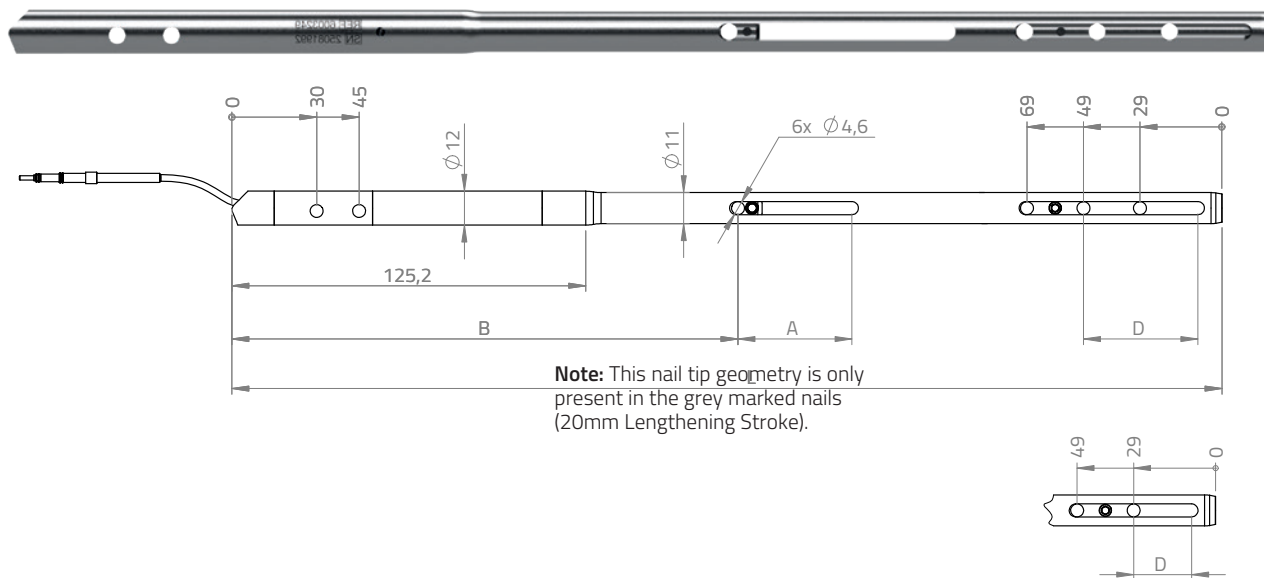
| Nail Part # | Description                   | Diameter (mm) | Stroke bone transport (A) (mm) | Length (L) (mm) | (B) (mm) | TRIAL Nail Part #* |
|-------------|-------------------------------|---------------|--------------------------------|-----------------|----------|--------------------|
| 99-60003291 | Fitbone TN 1140-T-290 STERILE | 11            | 40                             | 290             | 178      | 99-60003682        |
| 99-60003292 | Fitbone TN 1140-T-310 STERILE | 11            | 40                             | 310             | 178      | 99-60003683        |
| 99-60003293 | Fitbone TN 1140-T-330 STERILE | 11            | 40                             | 330             | 178      | 99-60003684        |
| 99-60003294 | Fitbone TN 1140-T-350 STERILE | 11            | 40                             | 350             | 178      | 99-60003685        |
| 99-60003295 | Fitbone TN 1140-T-370 STERILE | 11            | 40                             | 370             | 178      | 99-60003686        |
| 99-60003296 | Fitbone TN 1140-T-390 STERILE | 11            | 40                             | 390             | 178      | 99-60003687        |
| 99-60003297 | Fitbone TN 1140-T-410 STERILE | 11            | 40                             | 410             | 178      | 99-60003688        |
| 99-60003298 | Fitbone TN 1140-T-430 STERILE | 11            | 40                             | 430             | 178      | 99-60003689        |
| 99-60003299 | Fitbone TN 1140-T-450 STERILE | 11            | 40                             | 450             | 178      | 99-60003690        |
| 99-60003302 | Fitbone TN 1160-T-330 STERILE | 11            | 60                             | 330             | 198      | 99-60003693        |
| 99-60003303 | Fitbone TN 1160-T-350 STERILE | 11            | 60                             | 350             | 198      | 99-60003694        |
| 99-60003304 | Fitbone TN 1160-T-370 STERILE | 11            | 60                             | 370             | 198      | 99-60003695        |
| 99-60003305 | Fitbone TN 1160-T-390 STERILE | 11            | 60                             | 390             | 198      | 99-60003696        |
| 99-60003306 | Fitbone TN 1160-T-410 STERILE | 11            | 60                             | 410             | 198      | 99-60003697        |
| 99-60003307 | Fitbone TN 1160-T-430 STERILE | 11            | 60                             | 430             | 198      | 99-60003698        |
| 99-60003308 | Fitbone TN 1160-T-450 STERILE | 11            | 60                             | 450             | 198      | 99-60003699        |
| 99-60003311 | Fitbone TN 1180-T-370 STERILE | 11            | 80                             | 370             | 218      | 99-60003702        |
| 99-60003312 | Fitbone TN 1180-T-390 STERILE | 11            | 80                             | 390             | 218      | 99-60003703        |
| 99-60003313 | Fitbone TN 1180-T-410 STERILE | 11            | 80                             | 410             | 218      | 99-60003704        |
| 99-60003314 | Fitbone TN 1180-T-430 STERILE | 11            | 80                             | 430             | 218      | 99-60003705        |
| 99-60003315 | Fitbone TN 1180-T-450 STERILE | 11            | 80                             | 450             | 218      | 99-60003706        |

\*Note: Products may not be available in all markets because product availability is subject to the regulatory and/or medical practices in individual markets. Please contact your Orthofix representatives if you have any questions about the availability of Orthofix products in your area.



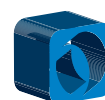
### 3. Fitbone Transport and Lengthening Nail Configurations (Fitbone TLN)

Femur TLN  $\phi 11\text{mm}$



| Nail Part # | Description                       | Diameter (mm) | Stroke bone transport (A) (mm) | Stroke lengthening (D) (mm) | Length (L) (mm) | (B) (mm) | TRIAL Nail Part #* |
|-------------|-----------------------------------|---------------|--------------------------------|-----------------------------|-----------------|----------|--------------------|
| 99-60003237 | Fitbone TLN 1140-F-20-290 STERILE | 11            | 40                             | 20                          | 290             | 178      | 99-60003628        |
| 99-60003238 | Fitbone TLN 1140-F-40-310 STERILE | 11            | 40                             | 40                          | 310             | 178      | 99-60003629        |
| 99-60003239 | Fitbone TLN 1140-F-40-330 STERILE | 11            | 40                             | 40                          | 330             | 178      | 99-60003630        |
| 99-60003240 | Fitbone TLN 1140-F-40-350 STERILE | 11            | 40                             | 40                          | 350             | 178      | 99-60003631        |
| 99-60003241 | Fitbone TLN 1140-F-40-370 STERILE | 11            | 40                             | 40                          | 370             | 178      | 99-60003632        |
| 99-60003242 | Fitbone TLN 1140-F-40-390 STERILE | 11            | 40                             | 40                          | 390             | 178      | 99-60003633        |
| 99-60003243 | Fitbone TLN 1140-F-40-410 STERILE | 11            | 40                             | 40                          | 410             | 178      | 99-60003634        |
| 99-60003244 | Fitbone TLN 1140-F-40-430 STERILE | 11            | 40                             | 40                          | 430             | 178      | 99-60003635        |
| 99-60003245 | Fitbone TLN 1140-F-40-450 STERILE | 11            | 40                             | 40                          | 450             | 178      | 99-60003636        |
| 99-60003248 | Fitbone TLN 1160-F-20-330 STERILE | 11            | 60                             | 20                          | 330             | 198      | 99-60003639        |
| 99-60003249 | Fitbone TLN 1160-F-40-350 STERILE | 11            | 60                             | 40                          | 350             | 198      | 99-60003640        |
| 99-60003250 | Fitbone TLN 1160-F-40-370 STERILE | 11            | 60                             | 40                          | 370             | 198      | 99-60003641        |
| 99-60003251 | Fitbone TLN 1160-F-40-390 STERILE | 11            | 60                             | 40                          | 390             | 198      | 99-60003642        |
| 99-60003252 | Fitbone TLN 1160-F-40-410 STERILE | 11            | 60                             | 40                          | 410             | 198      | 99-60003643        |
| 99-60003253 | Fitbone TLN 1160-F-40-430 STERILE | 11            | 60                             | 40                          | 430             | 198      | 99-60003644        |
| 99-60003254 | Fitbone TLN 1160-F-40-450 STERILE | 11            | 60                             | 40                          | 450             | 198      | 99-60003645        |
| 99-60003257 | Fitbone TLN 1180-F-20-370 STERILE | 11            | 80                             | 20                          | 370             | 218      | 99-60003648        |
| 99-60003258 | Fitbone TLN 1180-F-40-390 STERILE | 11            | 80                             | 40                          | 390             | 218      | 99-60003649        |
| 99-60003259 | Fitbone TLN 1180-F-40-410 STERILE | 11            | 80                             | 40                          | 410             | 218      | 99-60003650        |
| 99-60003260 | Fitbone TLN 1180-F-40-430 STERILE | 11            | 80                             | 40                          | 430             | 218      | 99-60003651        |
| 99-60003261 | Fitbone TLN 1180-F-40-450 STERILE | 11            | 80                             | 40                          | 450             | 218      | 99-60003652        |

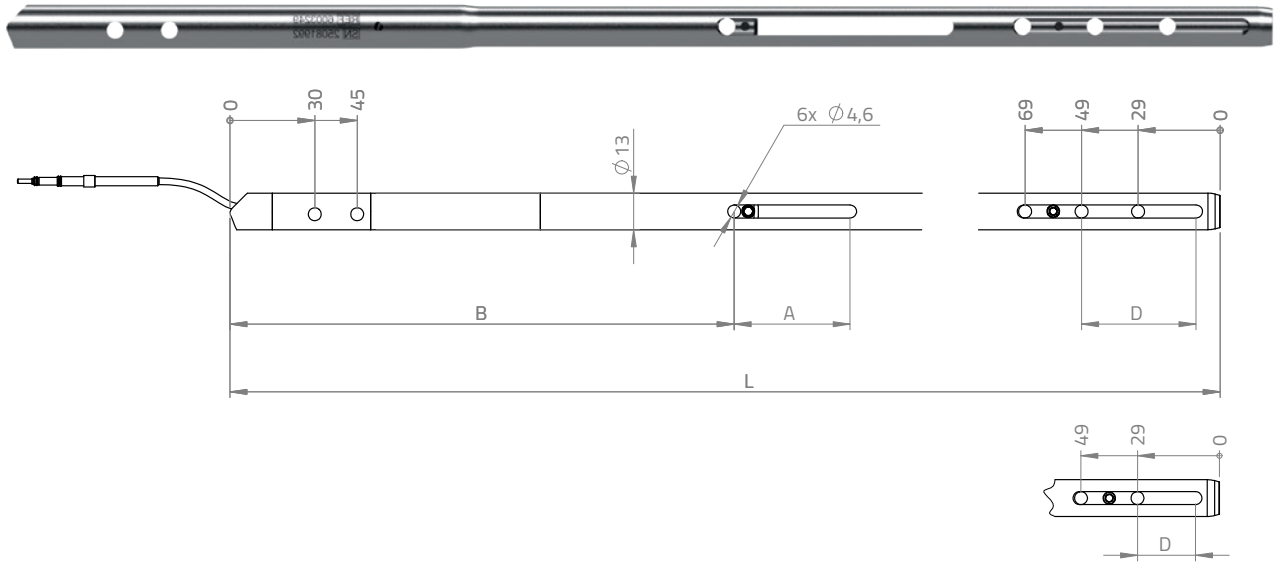
\*Note: Products may not be available in all markets because product availability is subject to the regulatory and/or medical practices in individual markets. Please contact your Orthofix representatives if you have any questions about the availability of Orthofix products in your area.





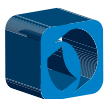
# Fitbone Transport and Lengthening Nail Configurations (Fitbone TLN)

Femur TLN  $\phi 13\text{mm}$



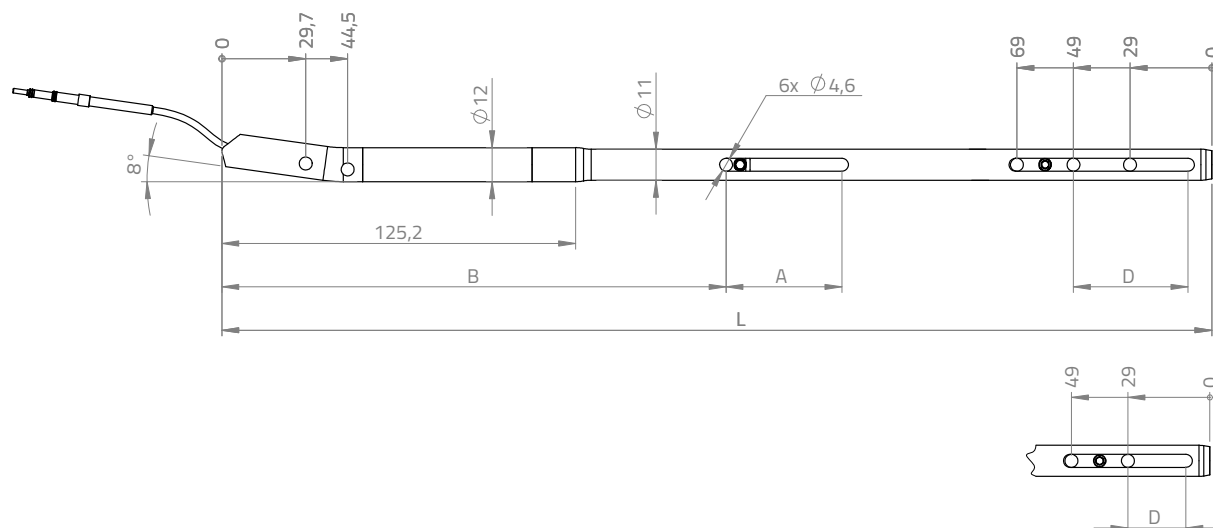
| Nail Part # | Description                       | Diameter (mm) | Stroke bone transport (A) (mm) | Stroke lengthening (D) (mm) | Length (L) (mm) | (B) (mm) | TRIAL Nail Part #* |
|-------------|-----------------------------------|---------------|--------------------------------|-----------------------------|-----------------|----------|--------------------|
| 99-60003264 | Fitbone TLN 1340-F-20-290 STERILE | 13            | 40                             | 20                          | 290             | 178      | 99-60003655        |
| 99-60003265 | Fitbone TLN 1340-F-40-310 STERILE | 13            | 40                             | 40                          | 310             | 178      | 99-60003656        |
| 99-60003266 | Fitbone TLN 1340-F-40-330 STERILE | 13            | 40                             | 40                          | 330             | 178      | 99-60003657        |
| 99-60003267 | Fitbone TLN 1340-F-40-350 STERILE | 13            | 40                             | 40                          | 350             | 178      | 99-60003658        |
| 99-60003268 | Fitbone TLN 1340-F-40-370 STERILE | 13            | 40                             | 40                          | 370             | 178      | 99-60003659        |
| 99-60003269 | Fitbone TLN 1340-F-40-390 STERILE | 13            | 40                             | 40                          | 390             | 178      | 99-60003660        |
| 99-60003270 | Fitbone TLN 1340-F-40-410 STERILE | 13            | 40                             | 40                          | 410             | 178      | 99-60003661        |
| 99-60003271 | Fitbone TLN 1340-F-40-430 STERILE | 13            | 40                             | 40                          | 430             | 178      | 99-60003662        |
| 99-60003272 | Fitbone TLN 1340-F-40-450 STERILE | 13            | 40                             | 40                          | 450             | 178      | 99-60003663        |
| 99-60003275 | Fitbone TLN 1360-F-20-330 STERILE | 13            | 60                             | 20                          | 330             | 198      | 99-60003666        |
| 99-60003276 | Fitbone TLN 1360-F-40-350 STERILE | 13            | 60                             | 40                          | 350             | 198      | 99-60003667        |
| 99-60003277 | Fitbone TLN 1360-F-40-370 STERILE | 13            | 60                             | 40                          | 370             | 198      | 99-60003668        |
| 99-60003278 | Fitbone TLN 1360-F-40-390 STERILE | 13            | 60                             | 40                          | 390             | 198      | 99-60003669        |
| 99-60003279 | Fitbone TLN 1360-F-40-410 STERILE | 13            | 60                             | 40                          | 410             | 198      | 99-60003670        |
| 99-60003280 | Fitbone TLN 1360-F-40-430 STERILE | 13            | 60                             | 40                          | 430             | 198      | 99-60003671        |
| 99-60003281 | Fitbone TLN 1360-F-40-450 STERILE | 13            | 60                             | 40                          | 450             | 198      | 99-60003672        |
| 99-60003284 | Fitbone TLN 1380-F-20-370 STERILE | 13            | 80                             | 20                          | 370             | 218      | 99-60003675        |
| 99-60003285 | Fitbone TLN 1380-F-40-390 STERILE | 13            | 80                             | 40                          | 390             | 218      | 99-60003676        |
| 99-60003286 | Fitbone TLN 1380-F-40-410 STERILE | 13            | 80                             | 40                          | 410             | 218      | 99-60003677        |
| 99-60003287 | Fitbone TLN 1380-F-40-430 STERILE | 13            | 80                             | 40                          | 430             | 218      | 99-60003678        |
| 99-60003288 | Fitbone TLN 1380-F-40-450 STERILE | 13            | 80                             | 40                          | 450             | 218      | 99-60003679        |

\*Note: Products may not be available in all markets because product availability is subject to the regulatory and/or medical practices in individual markets. Please contact your Orthofix representatives if you have any questions about the availability of Orthofix products in your area.



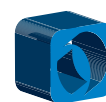
# Fitbone Transport and Lengthening Nail Configurations (Fitbone TLN)

Tibia TLN  $\phi 11\text{mm}$



| Nail Part # | Description                       | Diameter (mm) | Stroke bone transport (A) (mm) | Stroke lengthening (D) (mm) | Length (L) (mm) | (B) (mm) | TRIAL Nail Part #* |
|-------------|-----------------------------------|---------------|--------------------------------|-----------------------------|-----------------|----------|--------------------|
| 99-60003210 | Fitbone TLN 1140-T-20-290 STERILE | 11            | 40                             | 20                          | 290             | 178      | 99-60003601        |
| 99-60003211 | Fitbone TLN 1140-T-40-310 STERILE | 11            | 40                             | 40                          | 310             | 178      | 99-60003602        |
| 99-60003212 | Fitbone TLN 1140-T-40-330 STERILE | 11            | 40                             | 40                          | 330             | 178      | 99-60003603        |
| 99-60003213 | Fitbone TLN 1140-T-40-350 STERILE | 11            | 40                             | 40                          | 350             | 178      | 99-60003604        |
| 99-60003214 | Fitbone TLN 1140-T-40-370 STERILE | 11            | 40                             | 40                          | 370             | 178      | 99-60003605        |
| 99-60003215 | Fitbone TLN 1140-T-40-390 STERILE | 11            | 40                             | 40                          | 390             | 178      | 99-60003606        |
| 99-60003216 | Fitbone TLN 1140-T-40-410 STERILE | 11            | 40                             | 40                          | 410             | 178      | 99-60003607        |
| 99-60003217 | Fitbone TLN 1140-T-40-430 STERILE | 11            | 40                             | 40                          | 430             | 178      | 99-60003608        |
| 99-60003218 | Fitbone TLN 1140-T-40-450 STERILE | 11            | 40                             | 40                          | 450             | 178      | 99-60003609        |
| 99-60003221 | Fitbone TLN 1160-T-20-330 STERILE | 11            | 60                             | 20                          | 330             | 198      | 99-60003612        |
| 99-60003222 | Fitbone TLN 1160-T-40-350 STERILE | 11            | 60                             | 40                          | 350             | 198      | 99-60003613        |
| 99-60003223 | Fitbone TLN 1160-T-40-370 STERILE | 11            | 60                             | 40                          | 370             | 198      | 99-60003614        |
| 99-60003224 | Fitbone TLN 1160-T-40-390 STERILE | 11            | 60                             | 40                          | 390             | 198      | 99-60003615        |
| 99-60003225 | Fitbone TLN 1160-T-40-410 STERILE | 11            | 60                             | 40                          | 410             | 198      | 99-60003616        |
| 99-60003226 | Fitbone TLN 1160-T-40-430 STERILE | 11            | 60                             | 40                          | 430             | 198      | 99-60003617        |
| 99-60003227 | Fitbone TLN 1160-T-40-450 STERILE | 11            | 60                             | 40                          | 450             | 198      | 99-60003618        |
| 99-60003230 | Fitbone TLN 1180-T-20-370 STERILE | 11            | 80                             | 20                          | 370             | 218      | 99-60003621        |
| 99-60003231 | Fitbone TLN 1180-T-40-390 STERILE | 11            | 80                             | 40                          | 390             | 218      | 99-60003622        |
| 99-60003232 | Fitbone TLN 1180-T-40-410 STERILE | 11            | 80                             | 40                          | 410             | 218      | 99-60003623        |
| 99-60003233 | Fitbone TLN 1180-T-40-430 STERILE | 11            | 80                             | 40                          | 430             | 218      | 99-60003624        |
| 99-60003234 | Fitbone TLN 1180-T-40-450 STERILE | 11            | 80                             | 40                          | 450             | 218      | 99-60003625        |

\*Note: Products may not be available in all markets because product availability is subject to the regulatory and/or medical practices in individual markets. Please contact your Orthofix representatives if you have any questions about the availability of Orthofix products in your area.







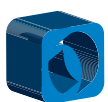
## 4. Fitbone Instruments

In this brochure you'll find all instruments.

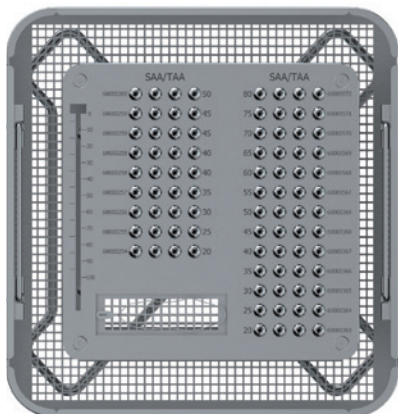
To see the single items in detail of the TAA instruments, please refer to the instrument tray layouts for the Fitbone Intramedullary Lengthening System (Fitbone TAA), please refer to our general Catalogue "Fitbone TAA Section" or brochure "Instrument Tray Layouts Fitbone Intramedullary Lengthening System" (FB-2026-PL-E0).

## 5. Fitbone Transport and Lengthening System Additional Items

| Part #                 | Description  | Sterile | Further information  |   |
|------------------------|--|---------|--|---|
| 60001780<br>(OUS & US) | Fitbone subcutaneous energy receiver   | Yes     | D26.5mm<br>Height 4.5mm  |   |
|                        |  |         | The receiver is implanted together with the nail and receives the energy from the transmitter at the control set.  |   |
| 60001644               | Fitbone Control Set for activation of intramedullary lengthening nail US plug 120V   | No      | Control set for distraction  |  |
| 60001871               | Fitbone Control Set for retraction of intramedullary lengthening nail<br><br>Fitbone Retraction Control Set for retraction of intramedullary lengthening nail US plug 120V | No      | Control set for retraction   |  |
| 60000676               | Kawe stethoscope 06.10100.94   | No      | The stethoscope is the definitive method to check that the nail is functioning. The surgeon will use the stethoscope intraoperatively to check nail function and the patient will use it at home during regular lengthening. |  |



## 6. Fitbone Locking Screws (Part # 6991108)





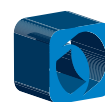
Material: Stainless Steel (AISI 316LVM)  
 Short thread length: 3.7mm  
 Long thread length: 6mm  
 Thread internal diameter: 4.5mm  
 Thread external diameter: 5.6mm



Material: Stainless Steel (AISI 316LVM)  
 Short thread length: 3.4mm  
 Thread internal diameter: 4.0mm  
 Thread external diameter: 5.2mm

The 4mm locking screw caddy is included on the TAA09 Instrument Tray 6991967.

| Screws  | Part #   | Description                                 | Length (mm) | Diameter (mm) |
|---|----------|---|-------------|---------------|
| <b>Short thread 4.5mm</b>   |          |   |             |               |
|   | 60000254 | Fitbone locking screw D4.5 L20 short thread | 20          | 4.5           |
|   | 60000255 | Fitbone locking screw D4.5 L25 short thread | 25          | 4.5           |
|   | 60000256 | Fitbone locking screw D4.5 L30 short thread | 30          | 4.5           |
|   | 60000257 | Fitbone locking screw D4.5 L35 short thread | 35          | 4.5           |
|   | 60000258 | Fitbone locking screw D4.5 L40 short thread | 40          | 4.5           |
|   | 60000259 | Fitbone locking screw D4.5 L45 short thread | 45          | 4.5           |
|   | 60000260 | Fitbone locking screw D4.5 L50 short thread | 50          | 4.5           |
| <b>Long thread 4.5mm</b>  |          |   |             |               |
|  | 60000363 | Fitbone locking screw D4.5 L20 long thread  | 20          | 4.5           |
|   | 60000364 | Fitbone locking screw D4.5 L25 long thread  | 25          | 4.5           |
|   | 60000365 | Fitbone locking screw D4.5 L30 long thread  | 30          | 4.5           |
|   | 60000366 | Fitbone locking screw D4.5 L35 long thread  | 35          | 4.5           |
|   | 60000367 | Fitbone locking screw D4.5 L40 long thread  | 40          | 4.5           |
|   | 60000368 | Fitbone locking screw D4.5 L45 long thread  | 45          | 4.5           |
|   | 60000369 | Fitbone locking screw D4.5 L50 long thread  | 50          | 4.5           |
|   | 60000567 | Fitbone locking screw D4.5 L55 long thread  | 55          | 4.5           |
|   | 60000568 | Fitbone locking screw D4.5 L60 long thread  | 60          | 4.5           |
|   | 60000569 | Fitbone locking screw D4.5 L65 long thread  | 65          | 4.5           |
|   | 60000570 | Fitbone locking screw D4.5 L70 long thread  | 70          | 4.5           |
|   | 60000571 | Fitbone locking screw D4.5 L75 long thread  | 75          | 4.5           |
|   | 60000572 | Fitbone locking screw D4.5 L80 long thread  | 80          | 4.5           |



## 7. Additional Supplies that will be utilized with this Product

| DESCRIPTION  | FURTHER INFORMATION  |
|--|--|
| Cerclage wire*   | Diameter: 0.8mm<br>Length: 1m  |
| Radio drapes*  | (e.g. Ultrasound wand drapes)  |
| Camera drape* (sterile)  | Dimensions: 13 x 250 cm, reverse folded                              |
| Skin/Surgical stapler*   |  |
| Surgical skin marker*  |  |
| Osteotomy instruments*<br>- 4mm drill<br>- Osteotomes<br>- Drill guide 4mm |  |
| Endoscope camera protection cover*   |  |
| Redon drainage*  | Length: 50cm<br>Internal Diameter: 1.5mm<br>External Diameter: 2.5mm |
| Knee bump/roll*  |  |

\*These items are not manufactured and supplied by Orthofix and must be supplied via the hospital's own materials.

## 8. Sterilization Boxes - Fitbone Instruments

The system seamlessly integrates with the current TAA Instruments, ensuring compatibility amongst the Fitbone family.



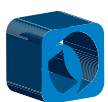
Both flexible and rigid reamer options are available depending upon surgeon preference.



FLEXIBLE REAMER

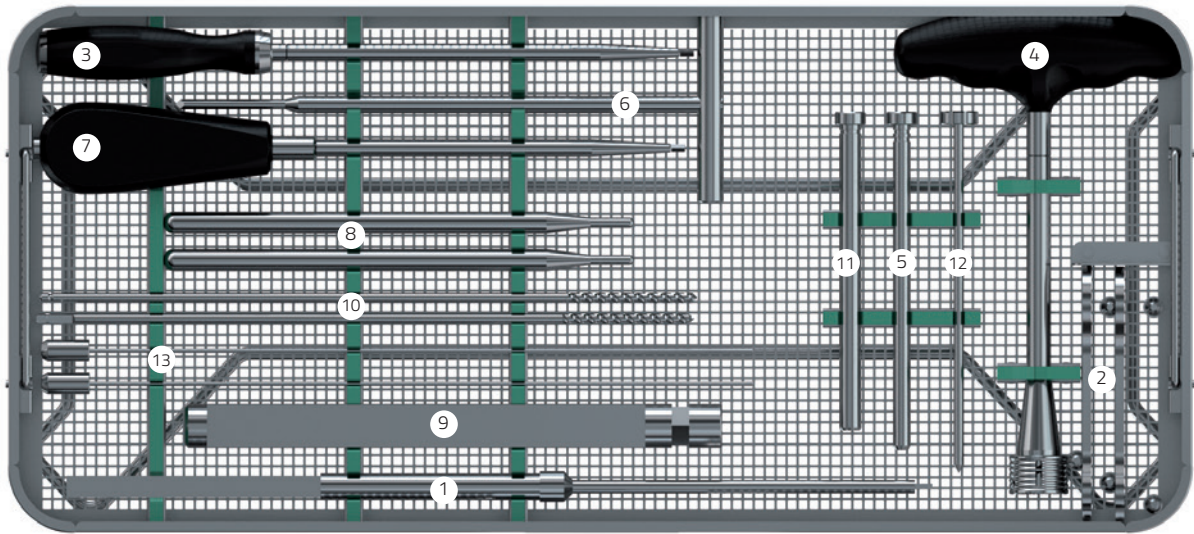


RIGID REAMERS



# Sterilization Boxes - Fitbone Instruments

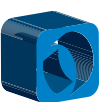
1



**1**  
**6990863**  
**Fitbone General Tray**

Can accommodate

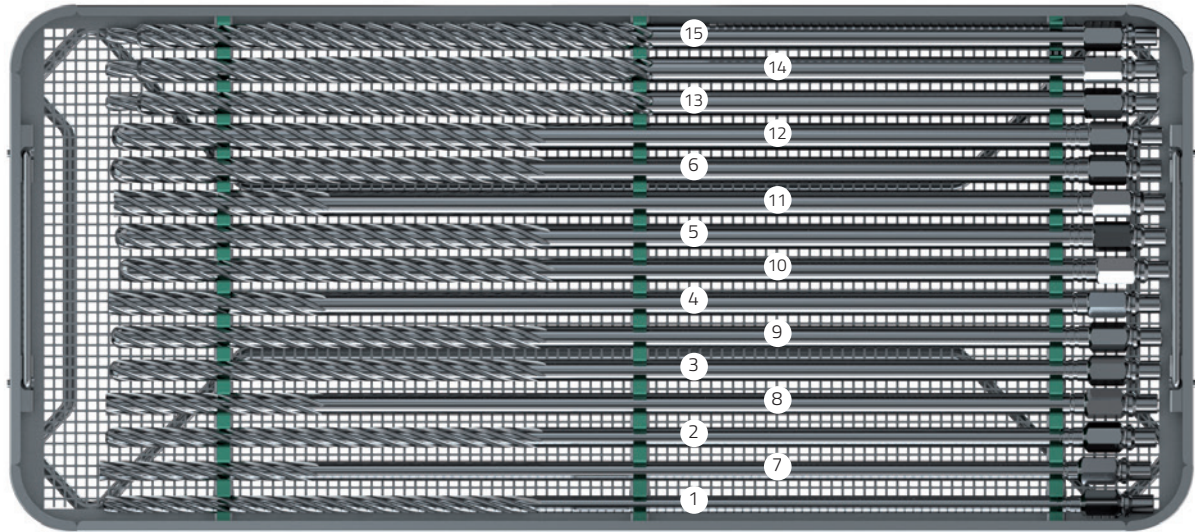
|    |    |                 |                                      |
|----|----|-----------------|--------------------------------------|
| 1  | 1x | <b>60000408</b> | Fitbone Depth Gauge                  |
| 2  | 2x | <b>60000689</b> | Fitbone open end wrench SW14/17      |
| 3  | 1x | <b>60000406</b> | Fitbone screwdriver SW3.5 cannulated |
| 4  | 1x | <b>60000392</b> | Fitbone T-handle                     |
| 5  | 1x | <b>60000400</b> | Fitbone Drill sleeve D4.5 black      |
| 6  | 1x | <b>60000405</b> | Fitbone trocar D4.5 T-handle         |
| 7  | 1x | <b>60000576</b> | Fitbone screwdriver SW3.5            |
| 8  | 2x | <b>60000688</b> | Fitbone test pin D4.5                |
| 9  | 1x | <b>60000317</b> | Fitbone tapping tool                 |
| 10 | 2x | <b>60000398</b> | Fitbone drill bit D4.5 L300          |
| 11 | 1x | <b>60000402</b> | Fitbone drill sleeve D8.0 green      |
| 12 | 1x | <b>60000403</b> | Fitbone trocar D4.5                  |
| 13 | 2x | <b>60000384</b> | Fitbone screw holder M2 L325         |





# Sterilization Boxes - Fitbone Instruments

2



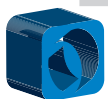
2

6990864

## Fitbone Reamer Tray TAA L480

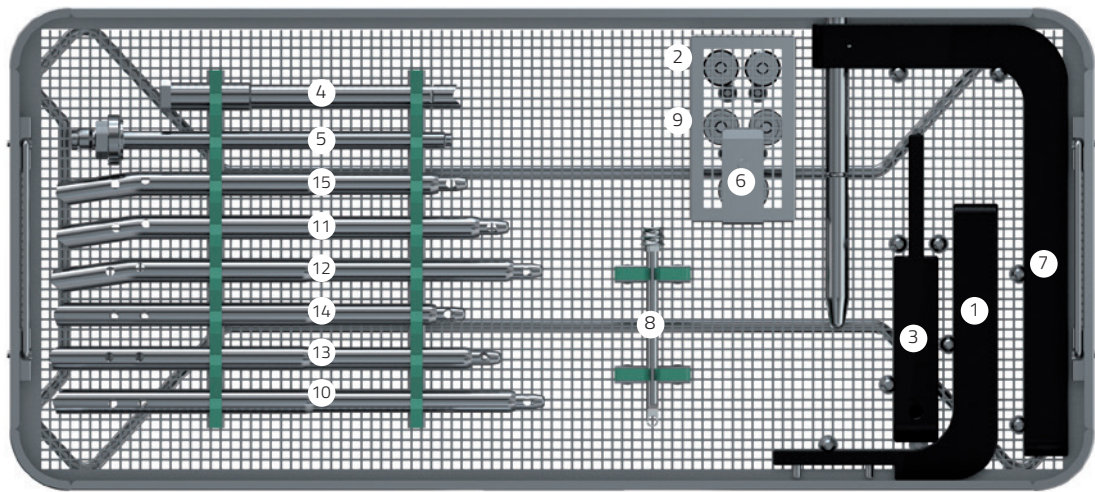
Can accommodate

|    |                    |   |    |                    |   |
|----|--------------------|---|----|--------------------|---|
| 1  | 1x <b>60000411</b> | Fitbone reamer D8.0 L200 L480 rounded           | 11 | 1x <b>60000419</b> | Fitbone reamer D12.0 L100 L480 forehead cutting |
| 2  | 1x <b>60000413</b> | Fitbone reamer D9.0 L200 L480 rounded           | 12 | 1x <b>60000716</b> | Fitbone reamer D12.5 L200 L480 rounded          |
| 3  | 1x <b>60000415</b> | Fitbone reamer D10.0 L200 L480 rounded          | 13 | 1x <b>60001179</b> | Fitbone step reamer TAA1180                     |
| 4  | 1x <b>60000417</b> | Fitbone reamer D11.0 L100 L480 forehead cutting | 14 | 1x <b>60001415</b> | Fitbone step reamer TAA1160                     |
| 5  | 1x <b>60000833</b> | Fitbone reamer D11.5 L200 L480 rounded          | 15 | 1x <b>60001528</b> | Fitbone step reamer TAA1140                     |
| 6  | 1x <b>60000420</b> | Fitbone reamer D12.0 L200 L480 rounded          |    |                    |   |
| 7  | 1x <b>60000412</b> | Fitbone reamer D9.0 L100 L480 forehead cutting  |    |                    |   |
| 8  | 1x <b>60000414</b> | Fitbone reamer D10.0 L100 L480 forehead cutting |    |                    |   |
| 9  | 1x <b>60000416</b> | Fitbone reamer D10.5 L200 L480 rounded          |    |                    |   |
| 10 | 1x <b>60000418</b> | Fitbone reamer D11.0 L200 L480 rounded          |    |                    |   |



# Sterilization Boxes - Fitbone Instruments

3



3

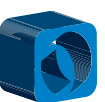
6990865

## Fitbone Instrument Tray TAA

Can accommodate

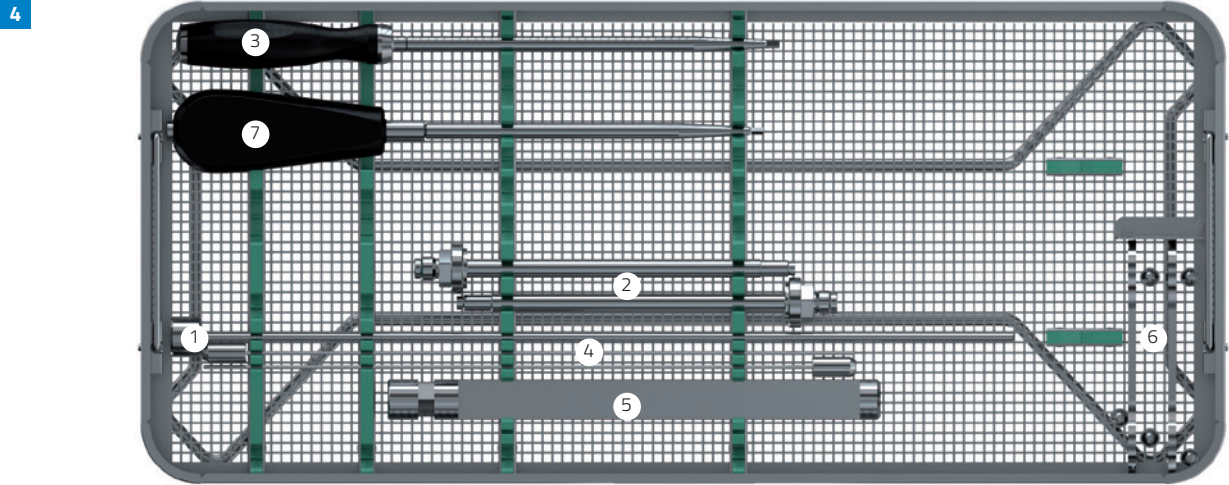
|    |    |                 |                                  |
|----|----|-----------------|----------------------------------|
| 1  | 1x | <b>60001184</b> | Fitbone outrigger TAA            |
| 2  | 2x | <b>60000175</b> | Fitbone fastening bolt M6 L9     |
| 3  | 1x | <b>60001175</b> | Fitbone drill guide TAA          |
| 4  | 1x | <b>60000218</b> | Fitbone space holder TAA         |
| 5  | 1x | <b>60000310</b> | Fitbone connection bolt TAA      |
| 6  | 1x | <b>60000219</b> | Fitbone clamping nut TAA         |
| 7  | 1x | <b>60001439</b> | Fitbone targeting device 45°/90° |
| 8  | 1x | <b>60001307</b> | Fitbone wire catcher 90°         |
| 9  | 2x | <b>60000003</b> | Fitbone setscrew                 |
| 10 | 1x | <b>60000822</b> | Fitbone dummy TAA1180-F-245      |
| 11 | 1x | <b>60000832</b> | Fitbone dummy TAA1160-T-225      |
| 12 | 1x | <b>60001495</b> | Fitbone dummy TAA1180-T-245      |

|    |    |                 |                             |
|----|----|-----------------|-----------------------------|
| 13 | 1x | <b>60001139</b> | Fitbone dummy TAA1160-F-225 |
| 14 | 1x | <b>60001248</b> | Fitbone dummy TAA1140-F-205 |
| 15 | 1x | <b>60001244</b> | Fitbone dummy TAA1140-T-205 |





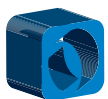
# Sterilization Boxes - Fitbone Instruments



**4**  
**6990875**  
**Fitbone Extraction Tray**

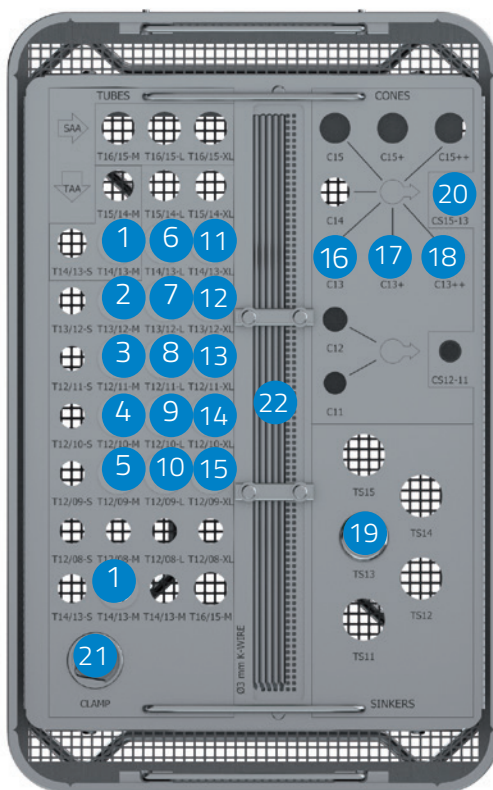
Can accommodate

|   |    |                 |   |
|---|----|-----------------|---|
| 1 | 1x | <b>60000513</b> | Fitbone fastening bolt<br>M4 L400       |
| 2 | 2x | <b>60000310</b> | Fitbone connection<br>bolt TAA          |
| 3 | 1x | <b>60000406</b> | Fitbone screwdriver<br>SW3.5 cannulated |
| 4 | 2x | <b>60000384</b> | Fitbone screw holder<br>M2 L325         |
| 5 | 1x | <b>60000317</b> | Fitbone tapping tool                    |
| 6 | 2x | <b>60000689</b> | Fitbone open end<br>wrench SW14/17      |
| 7 | 1x | <b>60000576</b> | Fitbone screwdriver<br>SW3.5            |



# Sterilization Boxes - Fitbone Instruments

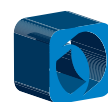
5



**5**  
**6991040**  
**Fitbone Tube System TAA**

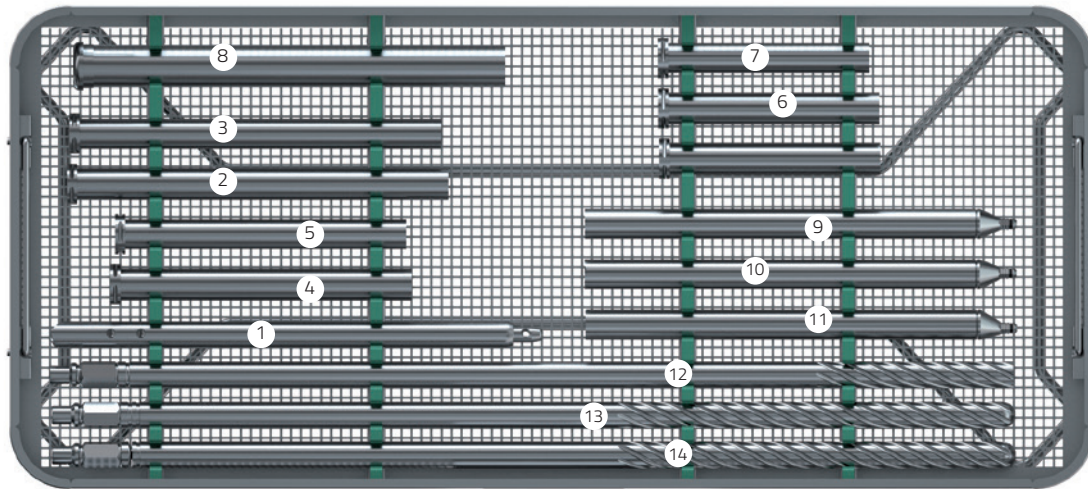
Can accommodate

|    |    |                 |                        |    |    |                 |                                |
|----|----|-----------------|------------------------|----|----|-----------------|--------------------------------|
| 1  | 2x | <b>60001014</b> | Fitbone tube T14/13-M  | 17 | 1x | <b>60001029</b> | Fitbone cone C13+              |
| 2  | 1x | <b>60001015</b> | Fitbone tube T13-12-M  | 18 | 1x | <b>60001030</b> | Fitbone cone C13++             |
| 3  | 1x | <b>60001016</b> | Fitbone tube T12/11-M  | 19 | 1x | <b>60001033</b> | Fitbone tube-sinker TS13       |
| 4  | 1x | <b>60001017</b> | Fitbone tube T12/10-M  | 20 | 1x | <b>60001036</b> | Fitbone cone-sinker CS15-13    |
| 5  | 1x | <b>60001018</b> | Fitbone tube T12/09-M  | 21 | 1x | <b>60001038</b> | Fitbone clamp                  |
| 6  | 1x | <b>60001058</b> | Fitbone tube T14/13-L  | 22 | 6x | <b>60001039</b> | Fitbone Kirschner wire D3 L280 |
| 7  | 1x | <b>60001055</b> | Fitbone tube T13/12-L  |    |    |                 |                                |
| 8  | 1x | <b>60001020</b> | Fitbone tube T12/11-L  |    |    |                 |                                |
| 9  | 1x | <b>60001021</b> | Fitbone tube T12/10-L  |    |    |                 |                                |
| 10 | 1x | <b>60001022</b> | Fitbone tube T12/09-L  |    |    |                 |                                |
| 11 | 1x | <b>60001054</b> | Fitbone tube T14/13-XL |    |    |                 |                                |
| 12 | 1x | <b>60001059</b> | Fitbone tube T13/12-XL |    |    |                 |                                |
| 13 | 1x | <b>60001024</b> | Fitbone tube T12/11-XL |    |    |                 |                                |
| 14 | 1x | <b>60001025</b> | Fitbone tube T12/10-XL |    |    |                 |                                |
| 15 | 1x | <b>60001026</b> | Fitbone tube T12/09-XL |    |    |                 |                                |
| 16 | 1x | <b>60001028</b> | Fitbone cone C13       |    |    |                 |                                |



# Sterilization Boxes - Fitbone Instruments

8



8

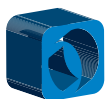
6992059

## Fitbone Instrument Tray TAA13

Only required for implantation of TAA13 nails

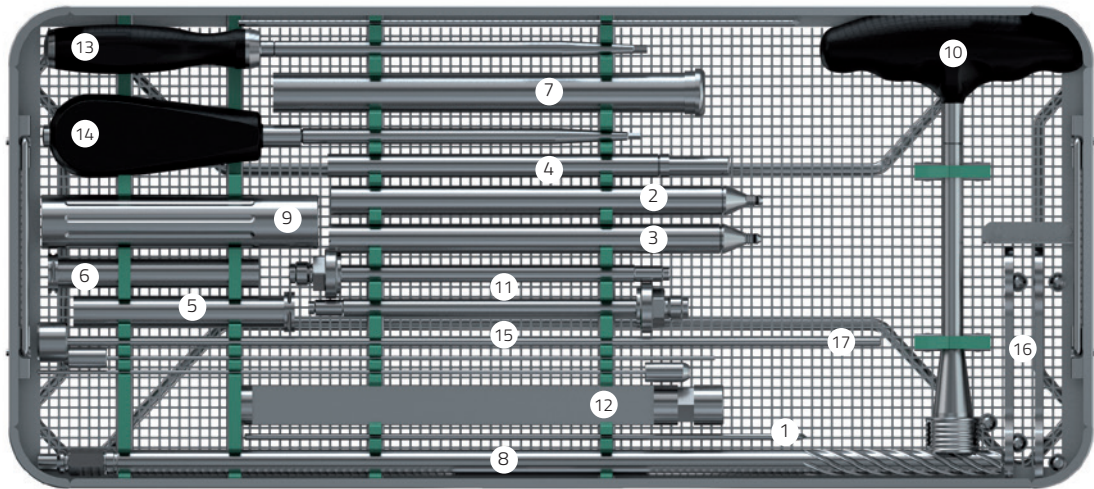
Can accommodate

|    |    |                 |   |
|----|----|-----------------|---|
| 1  | 1x | <b>60001623</b> | Fitbone dummy<br>TAA1380-F-245                        |
| 2  | 1x | <b>60001056</b> | Fitbone tube<br>T16/15-XL                             |
| 3  | 1x | <b>60001057</b> | Fitbone tube<br>T15/14-XL                             |
| 4  | 1x | <b>60001052</b> | Fitbone tube T16/15-L                                 |
| 5  | 1x | <b>60001053</b> | Fitbone tube T15/14-L                                 |
| 6  | 2x | <b>60001050</b> | Fitbone tube T16/15-M                                 |
| 7  | 1x | <b>60001051</b> | Fitbone tube T15/14-M                                 |
| 8  | 1x | <b>60001064</b> | Fitbone tube-sinker<br>TS15                           |
| 9  | 1x | <b>60001060</b> | Fitbone cone C15                                      |
| 10 | 1x | <b>60001061</b> | Fitbone cone C15+                                     |
| 11 | 1x | <b>60001062</b> | Fitbone cone C15++                                    |
| 12 | 1x | <b>60000421</b> | Fitbone reamer D13.0<br>L100 L480 forehead<br>cutting |
| 13 | 1x | <b>60000422</b> | Fitbone reamer D13.0<br>L200 L480 rounded             |
| 14 | 1x | <b>60000423</b> | Fitbone reamer D13.5<br>L200 L480 rounded             |



# Sterilization Boxes - Fitbone Instruments

9



9

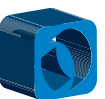
6992065

## Fitbone Extraction Tray TAA13




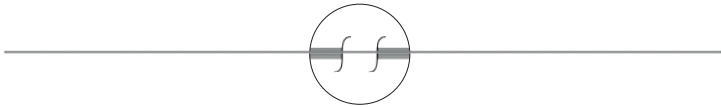




Only required for explantation of TAA13 nails

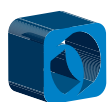
Can accommodate

|    |    |                 |   |    |    |                 |                                 |
|----|----|-----------------|---|----|----|-----------------|---------------------------------|
| 1  | 1x | <b>60001039</b> | Fitbone K-wire D3mm L280                        | 14 | 1x | <b>60000576</b> | Fitbone screwdriver SW3.5       |
| 2  | 1x | <b>60001060</b> | Fitbone cone C15                                | 15 | 2x | <b>60000384</b> | Fitbone screw holder M2 L325    |
| 3  | 1x | <b>60001061</b> | Fitbone cone C15+                               | 16 | 2x | <b>60000689</b> | Fitbone open end wrench SW14/17 |
| 4  | 1x | <b>60001036</b> | Fitbone cone- sinker CS 15-13                   | 17 | 1x | <b>60000513</b> | Fitbone fastening bolt M4 L400  |
| 5  | 1x | <b>60001050</b> | Fitbone tube T 16/15-M                          |    |    |                 |                                 |
| 6  | 1x | <b>60001051</b> | Fitbone tube T 15/14-M                          |    |    |                 |                                 |
| 7  | 1x | <b>60001064</b> | Fitbone tube-sinker TS15                        |    |    |                 |                                 |
| 8  | 1x | <b>60000421</b> | Fitbone reamer D13mm L100 L480 forehead cutting |    |    |                 |                                 |
| 9  | 1x | <b>60001038</b> | Fitbone clamp                                   |    |    |                 |                                 |
| 10 | 1x | <b>60000392</b> | Fitbone T-handle                                |    |    |                 |                                 |
| 11 | 2x | <b>60000310</b> | Fitbone connection bolt TAA                     |    |    |                 |                                 |
| 12 | 1x | <b>60000317</b> | Fitbone tapping tool                            |    |    |                 |                                 |
| 13 | 1x | <b>60000406</b> | Fitbone screwdriver SW3.5 cannulated            |    |    |                 |                                 |



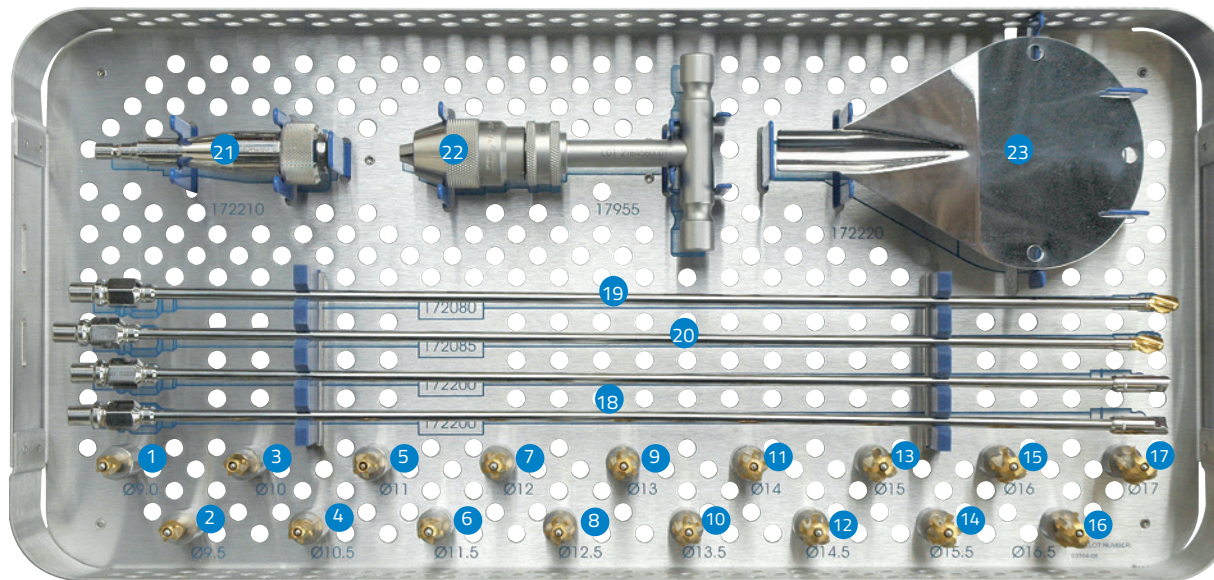
## 8. Stand Alone Instruments

| PART #    | DESCRIPTION                                   |  |
|-----------|---|--|
| 99-10013  | Allen Wrench 3mm<br>Sterile<br>(Single Use)   |    |
| 183260    | Awl   |    |
| 173230    | Reamer Sleeve                                 |     |
| 99-173281 | Guide Wire with Olive<br>Ø3x980mm             |    |
| 60003516  | Fitbone Bone Transport<br>Sizing Guide        |    |
| 60003517  | TLN Screw Overlay                             |    |
| 60003518  | Fitbone Tibia/Femur Retro TN<br>Screw Overlay |  |
| 60003519  | Femur TN Screw Overlay                        |  |





## 7. Flexible Reamer System, Complete (172001)



Can accommodate:

|    | Part # | Description                            | QTY |
|----|--------|--|-----|
| 1  | 172090 | Modular Reamer Head Ø 9mm              | 1   |
| 2  | 172095 | Modular Reamer Head Ø 9.5mm            | 1   |
| 3  | 172100 | Modular Reamer Head Ø 10mm             | 1   |
| 4  | 172105 | Modular Reamer Head Ø 10.5mm           | 1   |
| 5  | 172110 | Modular Reamer Head Ø 11mm             | 1   |
| 6  | 172115 | Modular Reamer Head Ø 11.5mm           | 1   |
| 7  | 172120 | Modular Reamer Head Ø 12mm             | 1   |
| 8  | 172125 | Modular Reamer Head Ø 12.5mm           | 1   |
| 9  | 172130 | Modular Reamer Head Ø 13mm             | 1   |
| 10 | 172135 | Modular Reamer Head Ø 13.5mm           | 1   |
| 11 | 172140 | Modular Reamer Head Ø 14mm             | 1   |
| 12 | 172145 | Modular Reamer Head Ø 14.5mm           | 1   |
| 13 | 172150 | Modular Reamer Head Ø 15mm             | 1   |
| 14 | 172155 | Modular Reamer Head Ø 15.5mm           | 1   |
| 15 | 172160 | Modular Reamer Head Ø 16mm             | 1   |
| 16 | 172165 | Modular Reamer Head Ø 16.5mm           | 1   |
| 17 | 172170 | Modular Reamer Head Ø 17mm             | 1   |
| 18 | 172200 | Nitinol Reamer Shafts With Ao Coupling | 2   |
| 19 | 172080 | Monobloc Reamer D. 8.0mm L. 475mm      | 1   |
| 20 | 172085 | Monobloc Reamer D. 8.5mm L. 475mm      | 1   |
| 21 | 172210 | Adapter                                | 1   |
| 22 | 17955  | Universal Chuck with T-Handle          | 1   |
| 23 | 172220 | Soft Tissue Protector                  | 1   |

