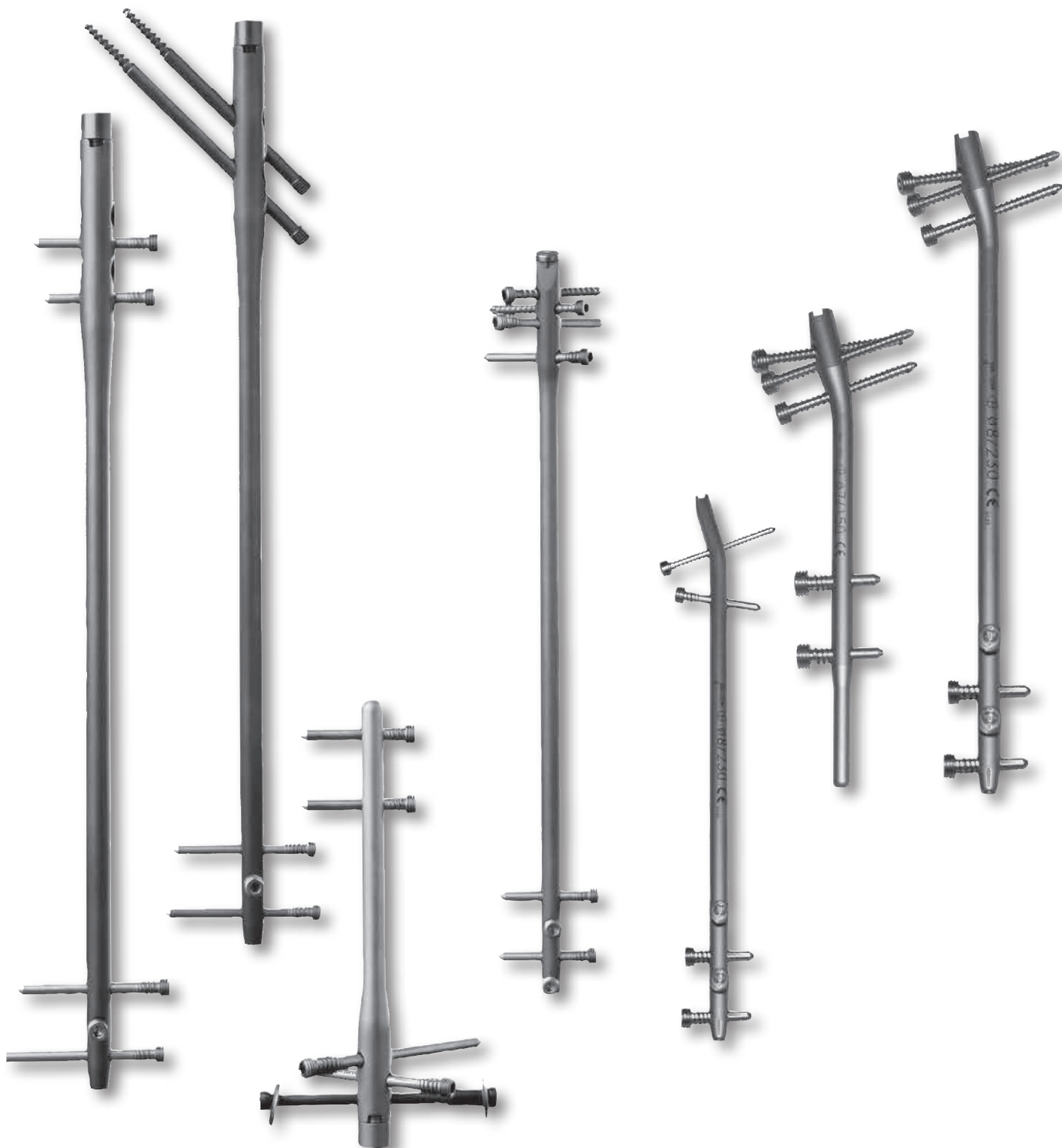


F. Centronail Titanium Nailing System



· See Manuals CN-0701-OPT "The Centronail Titanium Universal Femoral Nailing System", CN-0702-OPT "The Centronail Titanium Tibial Nailing System", CN-0703-OPT "The Centronail Titanium Supracondylar and Retrograde Nailing System" and CN-0704-OPT "The Centronail Titanium Humeral Nailing System" for application instructions



CE 0123

Manufactured by:
ORTHOFIX Srl
Via Delle Nazioni 9, 37012 Bussolengo (Verona), Italy
Telephone +39 045 6719000, Fax +39 045 6719380



1. Nails and End Caps



Length (mm)	Nail Diameter (mm)			
	9	10	11	12
275	99-T739275	99-T730275		
300	99-T739300	99-T730300		
325	99-T739325	99-T730325	99-T731325	99-T732325
350	99-T739350	99-T730350	99-T731350	99-T732350
375	99-T739375	99-T730375	99-T731375	99-T732375
400	99-T739400	99-T730400	99-T731400	99-T732400
425	99-T739425	99-T730425	99-T731425	99-T732425
450			99-T731450	99-T732450
475			99-T731475	99-T732475



Length (mm)	Nail Diameter (mm)			
	8	9	10	11
275	99-T748275	99-T749275	99-T740275	
290	99-T748290	99-T749290	99-T740290	
305	99-T748305	99-T749305	99-T740305	
320	99-T748320	99-T749320	99-T740320	99-T741320
335	99-T748335	99-T749335	99-T740335	99-T741335
350	99-T748350	99-T749350	99-T740350	99-T741350
365	99-T748365	99-T749365	99-T740365	99-T741365
380	99-T748380	99-T749380	99-T740380	99-T741380
395		99-T749395	99-T740395	99-T741395
410		99-T749410	99-T740410	99-T741410



Length (mm)	Nail Diameter (mm)			
	9	10	11	12
130	99-T769130	99-T760130	99-T761130	99-T762130
150	99-T769150	99-T760150	99-T761150	99-T762150
175	99-T769175	99-T760175	99-T761175	99-T762175
200		99-T760200	99-T761200	99-T762200
225		99-T760225	99-T761225	99-T762225
250			99-T761250	99-T762250
275			99-T761275	99-T762275
300			99-T761300	99-T762300
325			99-T761325	99-T762325
350			99-T761350	99-T762350
375			99-T761375	99-T762375

1
Centronail Titanium Femoral Intramedullary Nails, sterile
Solid, Ø 9mm
Cannulated, Ø 10, 11, and 12mm
Colour: Red

- 99-T730000**
Femoral Nail End Cap L 0mm
- 99-T730010**
Femoral Nail End Cap L 10mm
- 99-T730020**
Femoral Nail End Cap L 20mm

Note: The proximal part of the nail has a diameter of 14mm.

2
Centronail Titanium Tibial Intramedullary Nails, sterile
Solid, Ø 8mm
Cannulated, Ø 9, 10, and 11mm
Colour: Blue

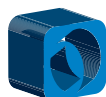
- 99-T740000**
Tibial Nail End Cap L 0mm
- 99-T740005**
Tibial Nail End Cap L 5mm
- 99-T740010**
Tibial Nail End Cap L 10mm

Note: The proximal part of the nail has a diameter of 11mm.

3
Centronail Titanium Supracondylar Intramedullary Nails, sterile
Solid, Ø 9mm
Cannulated, Ø 10, 11 and 12mm
Colour: Silver

- 99-T760000**
Supracondylar Nail End Cap L 0mm
- 99-T760010**
Supracondylar Nail End Cap L 10mm
- 99-T760020**
Supracondylar Nail End Cap L 20mm

Note: The proximal part of the nail has a diameter of 13mm.



Nails and End Caps

4



Length (mm)	Nail Diameter (mm)		
	7	8	9
150	99-T787150	99-T788150	99-T789150

5



Length (mm)	Nail Diameter (mm)		
	7	8	9
185	99-T787185	99-T788185	99-T789185
200	99-T787200	99-T788200	99-T789200
215	99-T787215	99-T788215	99-T789215
230	99-T787230	99-T788230	99-T789230
245	99-T787245	99-T788245	99-T789245
260	99-T787260	99-T788260	99-T789260
275	99-T787275	99-T788275	99-T789275
290	99-T787290	99-T788290	99-T789290
305	99-T787305	99-T788305	99-T789305
320	99-T787320	99-T788320	99-T789320

6



Length (mm)	Nail Diameter (mm)		
	7	8	9
185	99-T787185PL	99-T788185PL	99-T789185PL
200	99-T787200PL	99-T788200PL	99-T789200PL
215	99-T787215PL	99-T788215PL	99-T789215PL
230	99-T787230PL	99-T788230PL	99-T789230PL
245	99-T787245PL	99-T788245PL	99-T789245PL
260	99-T787260PL	99-T788260PL	99-T789260PL
275	99-T787275PL	99-T788275PL	99-T789275PL
290	99-T787290PL	99-T788290PL	99-T789290PL
305	99-T787305PL	99-T788305PL	99-T789305PL
320	99-T787320PL	99-T788320PL	99-T789320PL

4
Centronail Titanium Proximal Humeral Nails, sterile, cannulated (Short)
Colour: Gold

- 99-T780000**
Bolt Nail Cap L 0mm
- 99-T780005**
Humeral Nail End Cap L 5mm
- 99-T780010**
Humeral Nail End Cap L 10mm

Note: The proximal part of the nail has a diameter of 10mm.

5
Centronail Titanium Humeral Nails, sterile, cannulated
Colour: Gold

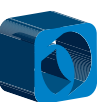
- 99-T780000**
Bolt Nail Cap L 0mm
- 99-T780005**
Humeral Nail End Cap L 5mm
- 99-T780010**
Humeral Nail End Cap L 10mm

Note: The proximal part of the 7mm nail has a diameter of 8mm.

6
Centronail Titanium Proximal Humeral Nails, sterile, cannulated (Long)
Colour: Gold

- 99-T780000**
Bolt Nail Cap L 0mm
- 99-T780005**
Humeral Nail End Cap L 5mm
- 99-T780010**
Humeral Nail End Cap L 10mm

Note: The proximal part of the nail has a diameter of 10mm.



2. Locking Screws

1



Total Length (mm)		Total Length (mm)	
25	99-T79925	70	99-T79970
30	99-T79930	75	99-T79975
35	99-T79935	80	99-T79980
40	99-T79940	85	99-T79985
45	99-T79945	90	99-T79990
50	99-T79950	95	99-T79995
55	99-T79955	100	99-T79900
60	99-T79960	105	99-T79905
65	99-T79965	110	99-T79910

4



Total Length (mm)		Total Length (mm)	
20	99-T74420	55	99-T74455
25	99-T74425	60	99-T74460
30	99-T74430	65	99-T74465
35	99-T74435	70	99-T74470
40	99-T74440	75	99-T74475
45	99-T74445	80	99-T74480
50	99-T74450		

2



Total Length (mm)		Total Length (mm)	
30	99-T74530	75	99-T74575
35	99-T74535	80	99-T74580
40	99-T74540	85	99-T74585
45	99-T74545	90	99-T74590
50	99-T74550	95	99-T74595
55	99-T74555	100	99-T74500
60	99-T74560	105	99-T74505
65	99-T74565	110	99-T74510
70	99-T74570		

5



Total Length (mm)		Total Length (mm)	
20	99-T785020	55	99-T785055
25	99-T785025	60	99-T785060
30	99-T785030	65	99-T785065
35	99-T785035	70	99-T785070
40	99-T785040	75	99-T785075
45	99-T785045	80	99-T785080
50	99-T785050		

3



Total Length (mm)		Total Length (mm)	
25	99-T746025	55	99-T746055
30	99-T746030	60	99-T746060
35	99-T746035	65	99-T746065
40	99-T746040	70	99-T746070
45	99-T746045	75	99-T746075
50	99-T746050	80	99-T746080

1
Titanium Standard Locking Screws, sterile
Shaft Ø 4.8mm
Thread Ø 6.8mm
Colour: Green

For femoral, tibial and supracondylar nails
(Drill bit Ø 4.8mm)

2
Titanium Revision Locking Screws, sterile
Shaft Ø 4.8mm
Thread Ø 8.0mm
Colour: Green

For femoral, tibial and supracondylar nails.
(Drill bit Ø 4.8mm)

3
Titanium Threaded Locking Screws, sterile
Thread Ø 4.8mm
Colour: Blue

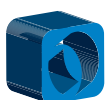
For proximal locking in tibial nail only.
(Drill bit Ø 4.0mm)

4
Titanium Locking Screws, sterile
Shaft Ø 4.0mm
Thread Ø 6.0mm
Colour: Gold

For humeral nail and for distal locking
in 8mm diameter tibial nail.
(Drill bit Ø 4.0mm)

5
Titanium Revision Locking Screws, sterile
Shaft Ø 4.0mm
Thread Ø 8.0mm
Colour: Gold

For humeral nail only
(Drill bit Ø 4.0mm)



Locking Screws

6



Total Length (mm)		Total Length (mm)	
20	99-T786020	55	99-T786055
25	99-T786025	60	99-T786060
30	99-T786030	65	99-T786065
35	99-T786035	70	99-T786070
40	99-T786040	75	99-T786075
45	99-T786045	80	99-T786080
50	99-T786050		

9



Total Length (mm)		Total Length (mm)	
30	99-T784030	50	99-T784050
35	99-T784035	55	99-T784055
40	99-T784040	60	99-T784060
45	99-T784045	65	99-T784065

7



Total Length (mm)		Total Length (mm)	
50	99-T736050	90	99-T736090
55	99-T736055	95	99-T736095
60	99-T736060	100	99-T736100
65	99-T736065	105	99-T736105
70	99-T736070	110	99-T736110
75	99-T736075	115	99-T736115
80	99-T736080	120	99-T736120
85	99-T736085		

8



Total Length (mm)		Total Length (mm)	
60	99-T766060	95	99-T766095
65	99-T766065	100	99-T766100
70	99-T766070	105	99-T766105
75	99-T766075	110	99-T766110
80	99-T766080	115	99-T766115
85	99-T766085	120	99-T766120
90	99-T766090		

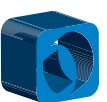
6
Titanium Threaded Locking Screws, sterile
Thread Ø 4.0mm
Colour: Gold
 For proximal locking in humeral nail only.
 (Drill bit Ø 3.2mm)

7
Titanium Recon-Oblique Screws, sterile
Shaft Ø 6.5mm
Thread length 25mm
Thread Ø 6.5-5.7mm
Colour: Red

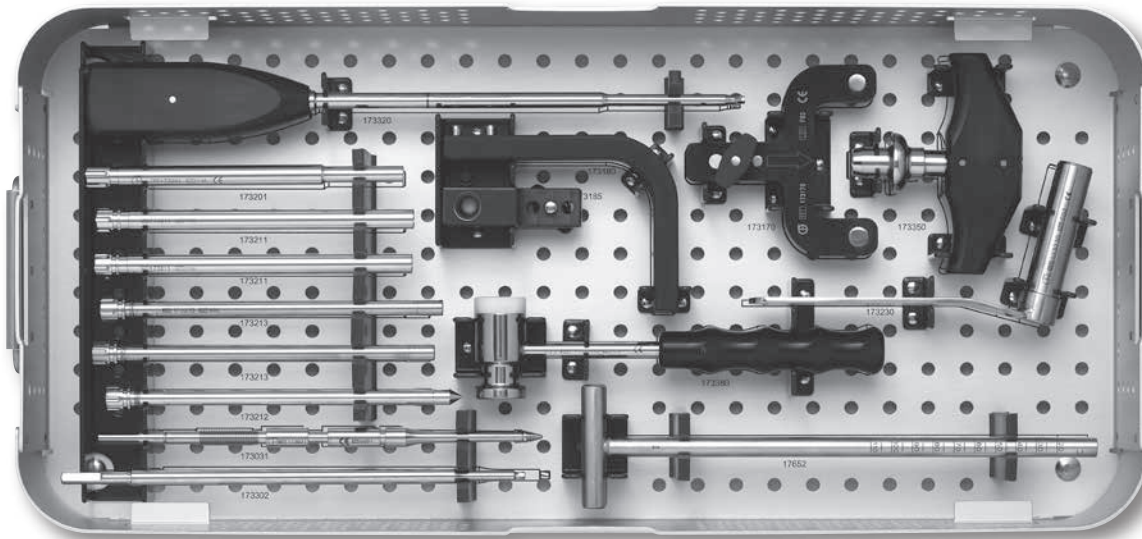
8
Titanium Condylar Screw Kits, sterile
 Consisting of:
 1x 4.8mm Condylar Screw
 2x Condylar Washers
 1x Condylar Nut

Colour: Brown
 (Drill bit Ø 4.8mm)

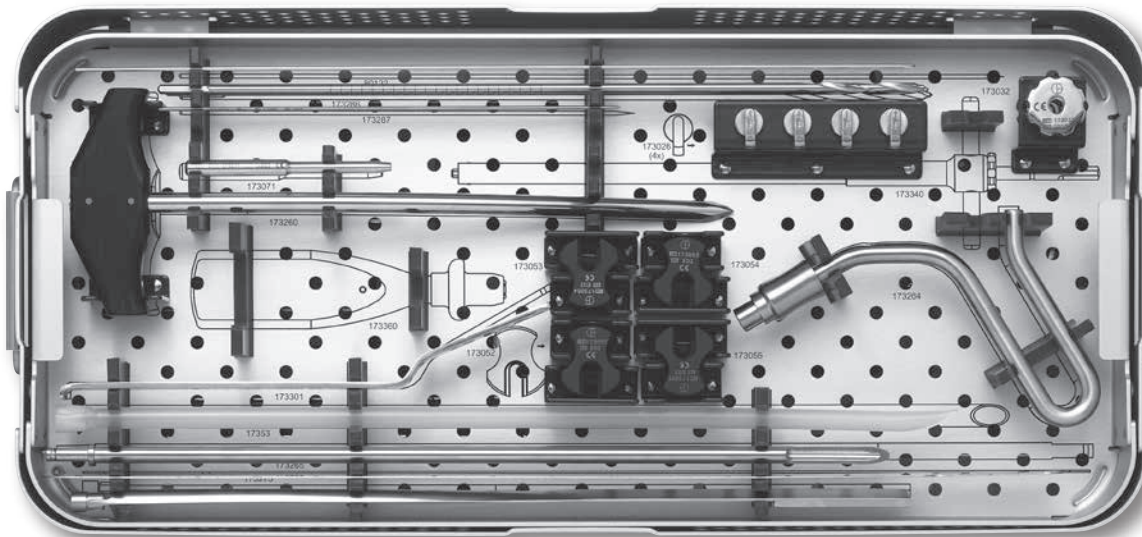
9
Titanium Proximal Threaded Locking Screws-
Thread Ø 4.0mm
 (Not available in all markets)



3. Sterilization Boxes



1



1
173997 Centronail General Instruments Box, empty

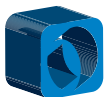
Can accommodate:

- 1x173201 Stabilizing Sleeve
- 2x173211 Screw Guide
- 1x173212 Trocar
- 2x173213 Drill Guide
- 1x173301 Screw Scale
- 1x173302 Cannulated Screw Wrench
- 1x173320 Cannulated Screw Driver
- 1x173350 T Handle
- 4x173026 Locking Cam
- 1x173032 Locking Nut
- 1x173071 Impactor
- 2x173286 Drill Bit Ø 4.8x365mm
- 1x173287 K-Wire 2mm
- 1x173052 Spacer 9mm
- 1x173053 Spacer 10mm
- 1x173054 Spacer 11mm
- 1x173055 Spacer 12mm
- 1x173031 Stabilizing Rod
- 1x17353 Guide Wire Exchange Tube

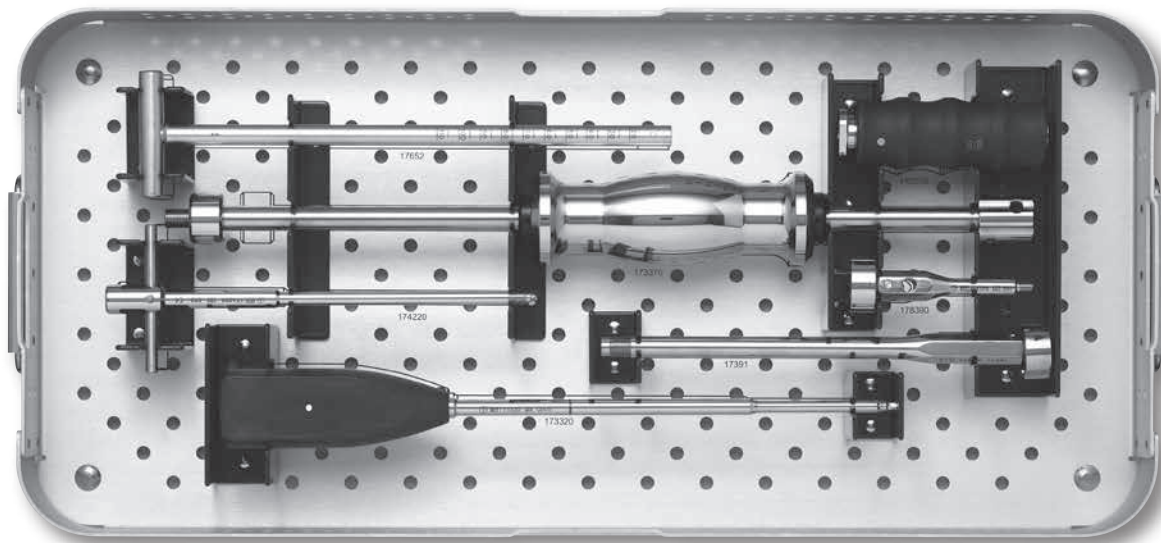
- 1x17652 Locking Screw Extractor
- 1x173380 Hammer
- 1x173170 AP Arm Connector
- 1x173180 AP Arm
- 1x173230 Femoral Reamer Sleeve
- 1x173260 Awl
- 1x80122 XWire Ø 2x400mm
- 1x173185 AP Centering Jig
- 1x173264 Reduction Tool Handle
- 1x173265 Reduction Tool
- 1x173275 Ruler
- 1x173276 Ruler Support

Sterile Packaged Instruments, not illustrated:

- 5x99-173285 Cannulated Drill Bit 6mm (single use only)
- 1x99-173281 Guide Wire with olive Ø 3x980mm
- 1x99-176281 Guide Wire without olive Ø 2.5x980mm



Sterilization Boxes

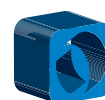


2

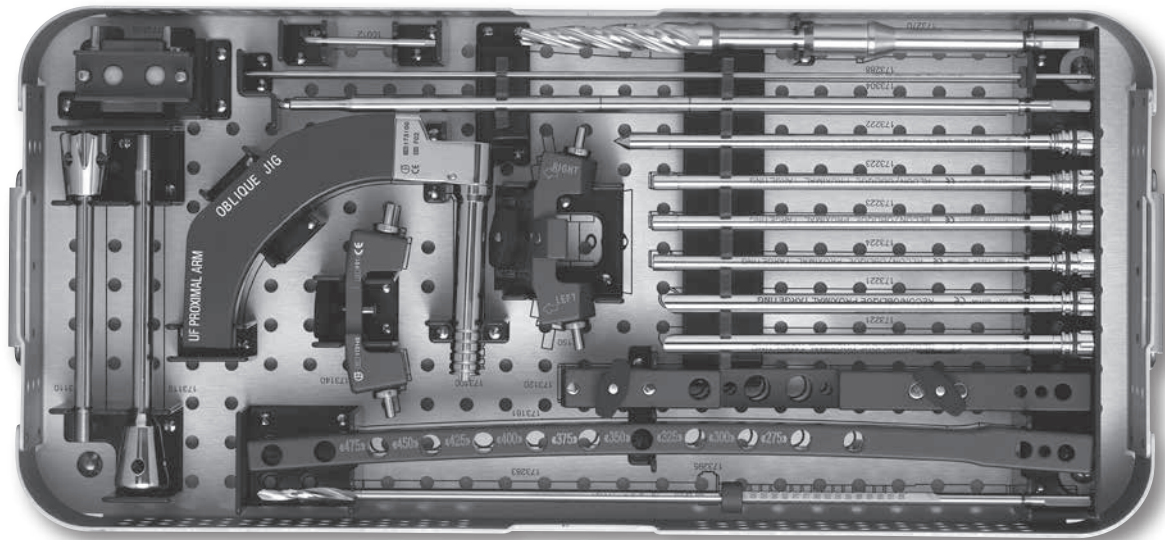
2 173998 Centronail Extraction Instruments Box, empty

Can accommodate:

- 1x173320 Cannulated Screw Driver
- 1x173370 Sliding Hammer
- 1x170035 Extractor Handle
- 1x17391 Femoral Nail Extractor
- 1x17652 Locking Screw Extractor
- 1x174220 Tibial Nail Extractor
- 1x178390 Humeral Nail Extractor



Sterilization Boxes



3



4



5

3 173991 Centronail Femoral Specific Instruments Box, empty

Can accommodate:

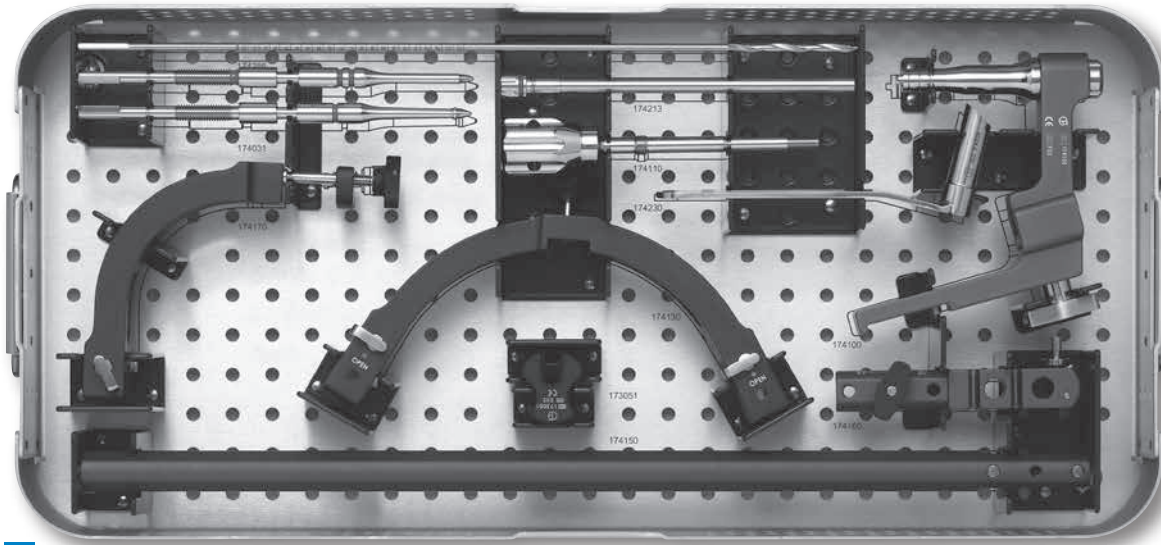
- 1x173100 Handle
- 1x173110 Locking Rod
- 1x173115 Insertion Knob
- 1x173120 UF Proximal Arm
- 1x173130 Transverse Jig
- 1x173140 Oblique Jig
- 1x173150 Recon Jig
- 1x173161 UF Distal Arm
- 2x173221 Recon Screw Guide
- 1x173222 Recon Trocar
- 2x173223 Recon Wire Guide
- 1x173224 Recon Drill Guide
- 1x173270 Cannulated Rigid Reamer
- 1x173283 Recon Drill Bit
- 1x173295 Recon Drill Bit Stop
- 2x173288 Threaded Wire 3x400mm
- 1x173304 Long Screw Wrench
- 1x10012 3mm Allen Wrench

4 173162 Radiolucent Jig

5 173214 Radiolucent Drill Guide



Sterilization Boxes

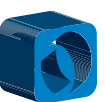


6

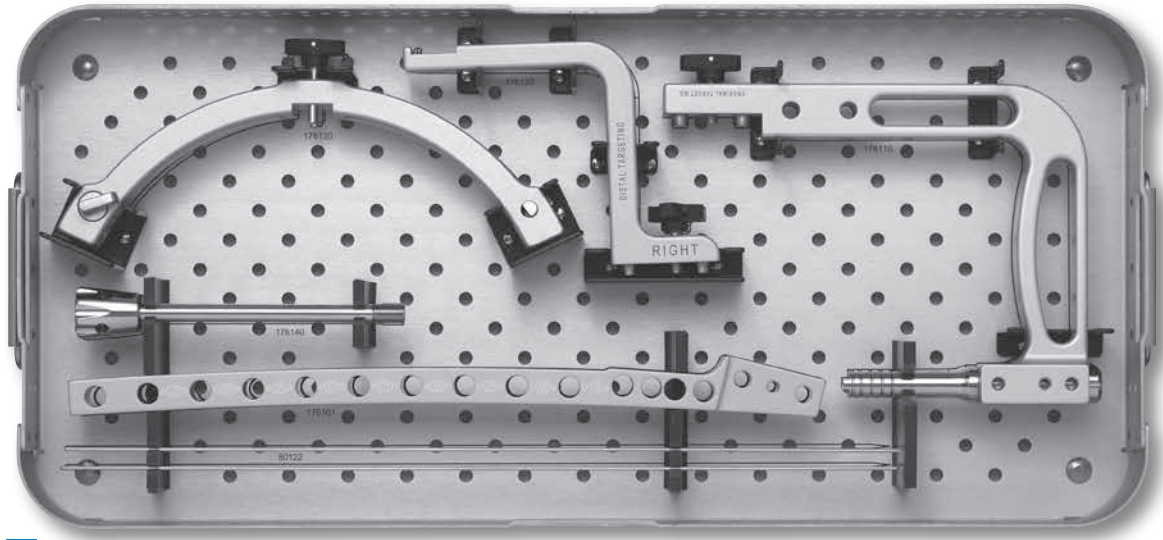
6 174991 Centronail Tibial Specific Instruments Box, empty

Can accommodate:

- 1x174100 Handle
- 1x174110 Locking Rod
- 1x174130 Proximal Arm
- 1x174150 Distal Arm
- 1x174160 Distal Adapter
- 1x174170 Distal Targeting Arm
- 1x174031 Tibial Stabilizing Rod M6
- 1x174041 Tibial Stabilizing Rod M5
- 1x174230 Tibial Reamer Sleeve
- 1x174286 Drill Bit \varnothing 4x365mm
- 1x174213 Drill Guide 4.0mm
- 1x173051 Spacer 8mm



Sterilization Boxes

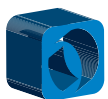


7

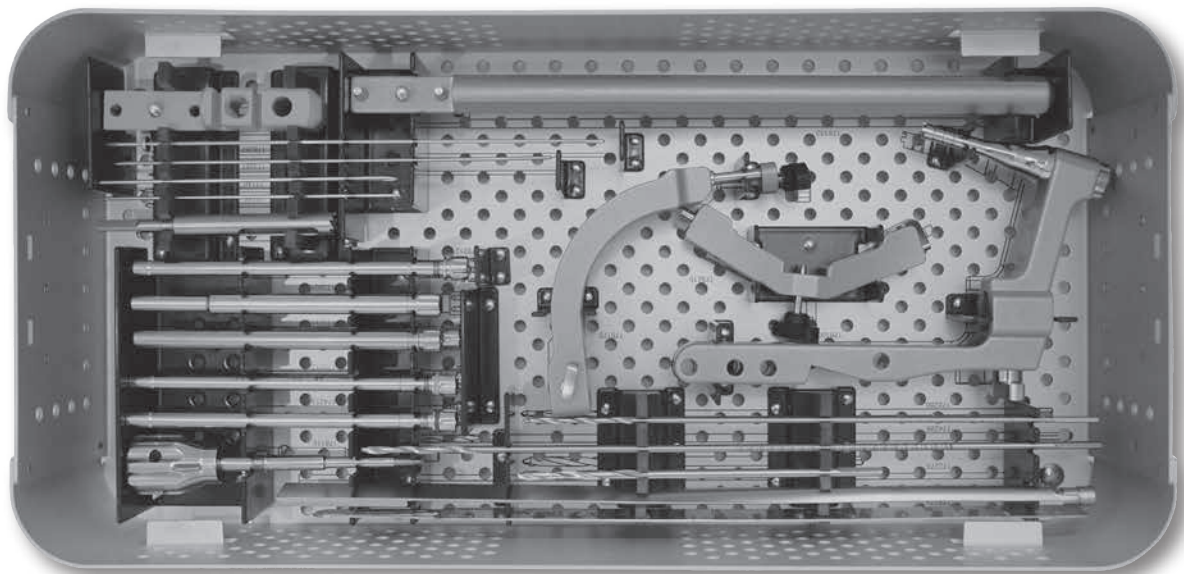
7 176991 Centronail Supracondylar and Retrograde Specific Instruments Box, empty

Can accommodate:

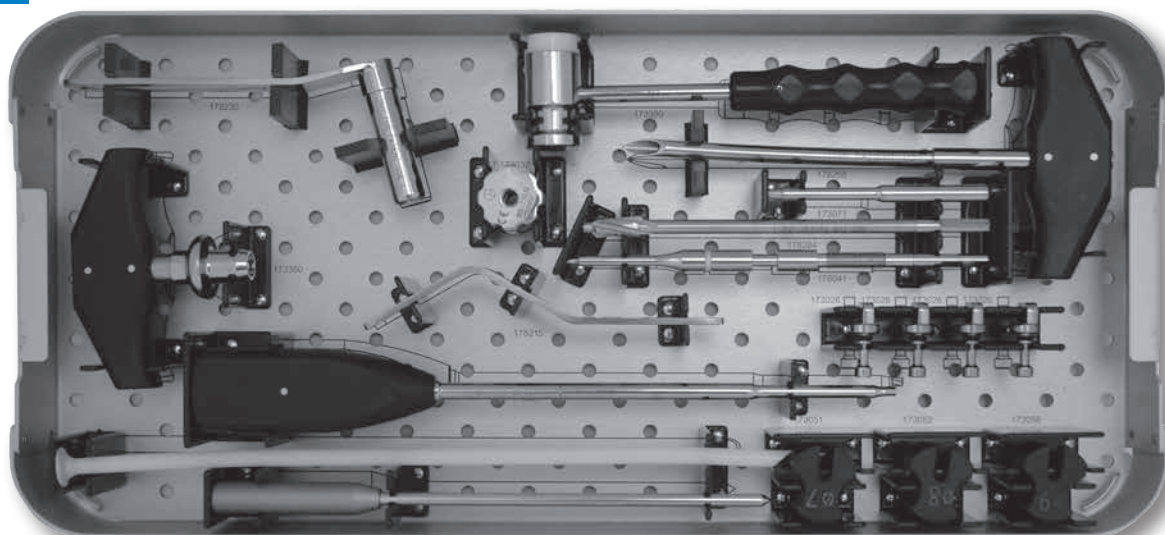
- 1x176101 SC Proximal Arm
- 1x176110 SC Handle
- 1x176120 SC Middle Arm
- 1x176130 SC Curved Arm
- 1x176140 SC Locking Rod
- 2x80122 2x400mm XWire



Sterilization Boxes



8



8 178991 Centronail Humeral Instruments Box, empty

Can accommodate:

- 1x178100 Handle
- 1x178110 Locking Rod
- 1x178120 Proximal Humeral Outrigger
- 1x178130 Guide Bar
- 1x178170 Targeting Arm
- 2x178213 Drill Guide 3.2mm
- 1x174213 Drill Guide 4.0mm
- 1x178215 Retrograde Insertion Template
- 1x178230 Humeral Reaming Sleeve
- 1x178261 Antegrade Cannulated Reamer
- 1x178284 Retrograde Insertion Drill
- 2x178286 Drill Bit \varnothing 3.2x280mm
- 1x174286 Drill Bit \varnothing 4x365mm
- 1x178041 Stabilizing Rod
- 1x178287 Antegrade Insertion Wire
 \varnothing 2x250mm
- 1x173058 Spacer 7mm
- 1x173051 Spacer 8mm
- 1x173052 Spacer 9mm

- 3x11146 K-Wire without olive \varnothing 2x150mm
- 1x178160 Radiolucent Distal Adapter
- 1x1100101 Drill Bit 4.8mm
- 1x11129 Trocar
- 1x178265 Awl
- 1x173276 Ruler Support
- 1x178275 Humeral Ruler
- 1x178353 Guide Wire Exchange Tube
- 4x173026 Locking Cam
- 1x173032 Locking Nut
- 1x173071 Impactor
- 1x173201 Stabilizing Sleeve
- 2x173211 Screw Guide
- 1x173212 Trocar
- 1x173287 K-Wire 2x220mm
- 1x173320 Cannulated Screw Driver
- 1x173350 T Handle
- 1x173380 Hammer

Sterile Packaged Instruments (not illustrated):

- 99-178283 Guide Wire with olive
2x780mm
- 99-178282 Guide Wire without olive
2.5x780mm
- 99-178285 6mm Cannulated
Drill Bit Kit

