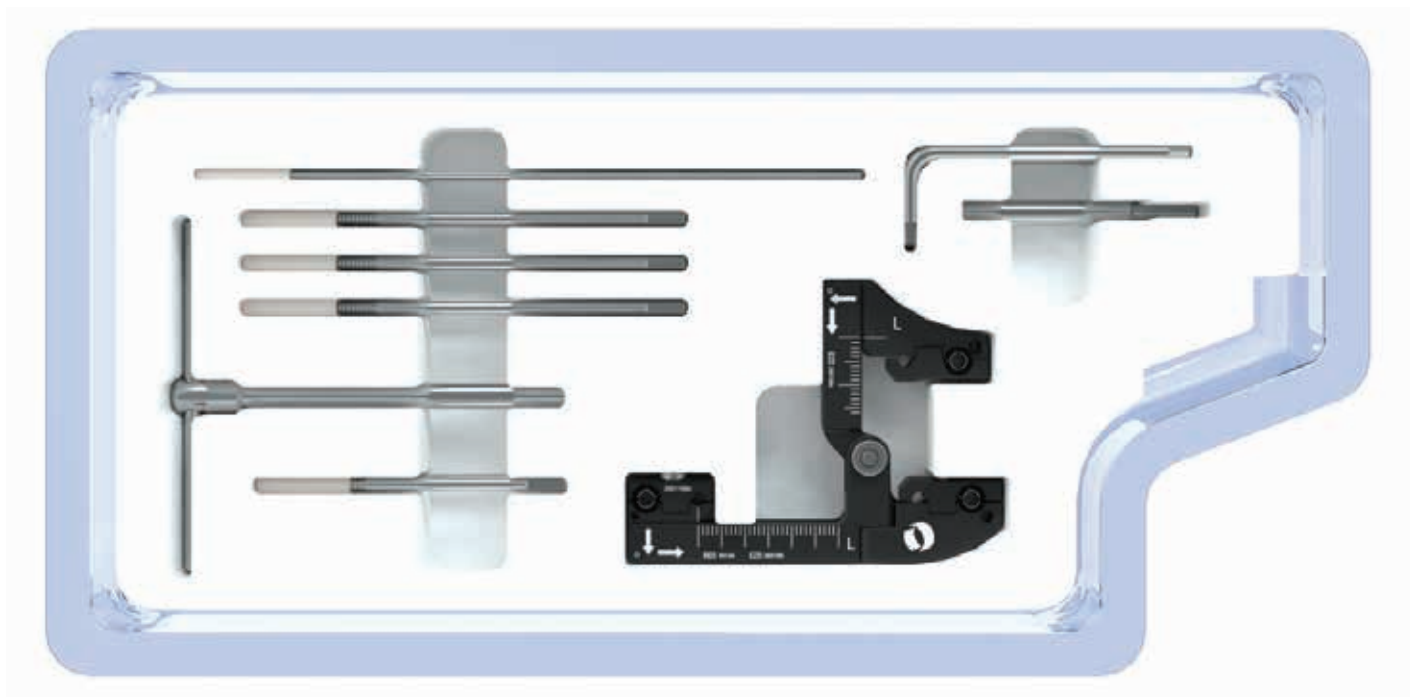


S. CalcFix Plus - Calcaneal Fixator System



1

1

99-M1460 CalcFix Plus Calcaneal Fixator Set Sterile

Can accommodate:

- 2x10012 Allen Wrench, 3mm
- 1xM210 T-Wrench for Bone Screws
- 1xM211 Driver for 3mm Shaft Screws
- 1xM146 CalcFix Plus Calcaneal Fixator
- 2xM315 Self-Drilling, Cortical Screw, Length 70/25mm D 3.0-2.5mm
- 6xM317 Self-Drilling, Cortical Screw, Length 100/30mm D 3.0-2.5mm
- 3x1371501 Kirschner Wire Length 150mm Diameter 1.5mm

See Operative Technique CF-2201-OPT "CalcFix Plus Calcaneal Fixator" for application instructions.



Manufactured by:
ORTHOFIX Srl
Via Delle Nazioni 9, 37012 Bussolengo (Verona), Italy
Telephone +39 045 6719000, Fax +39 045 6719380

