

# Galaxy Fixation

Gemini™ System

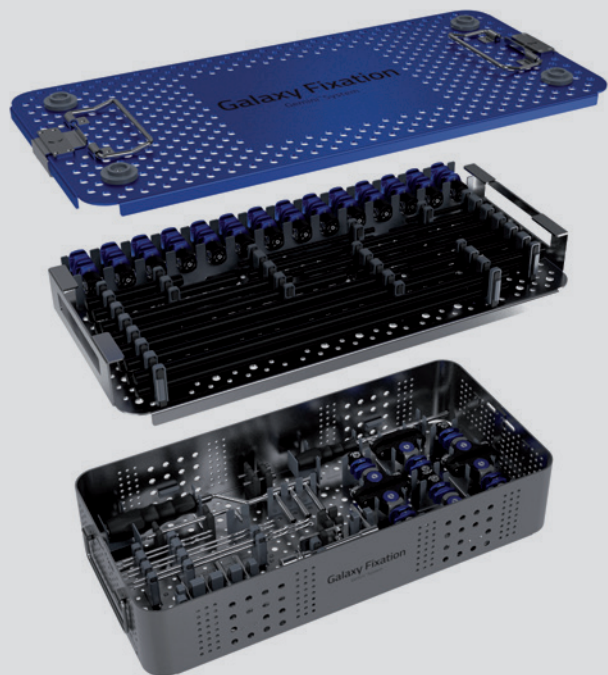


Every Hospital Needs  
a Pin to Bar Fixator  
Why Not Two-in-One?

 **ORTHOFIX**<sup>®</sup>  
ORTHOPEDICS

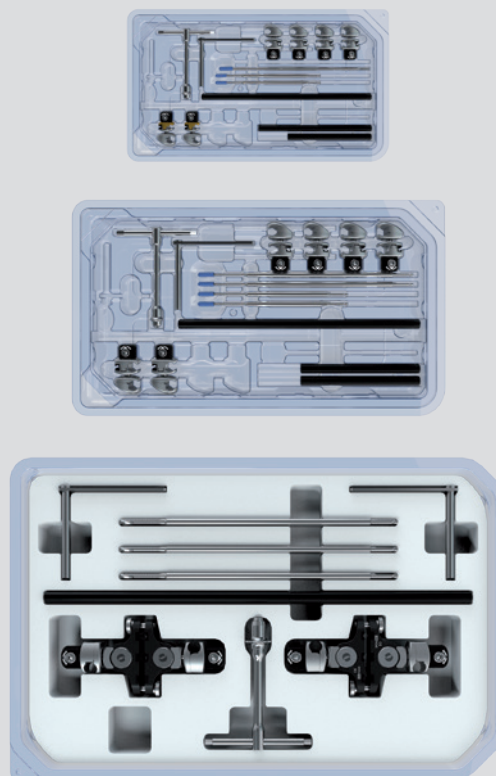
# Choose the configuration you like the most

**Easy stock management**  
All in one tray - implants and instrumentation



Universal Clamps have **markers for easy identification** of rod and pin diameter for each clamp slot. Universal clamps can perform 10 different types of coupling.

**Ideal for DCO**  
In ready to use sterile kits



## Universal Clamps

94100



**Hand-tightening pre-closure mechanism** allows manipulation of the frame without requiring an instrument

94300



**Intuitive design with visible check for definitive locking** from any side regardless of clamp position.

94200



Internal teeth and locking profiles designed to provide **high torsional strength** and avoid components sliding.

## Standard Clamps

99-94010



99-94030



99-94020



99-94040



99-94140



Distributed by:



Manufactured by:  
ORTHOFIX Srl  
Via Delle Nazioni 9, 37012 Bussolengo (Verona), Italy  
Telephone +39 045 6719000, Fax +39 045 6719380

**Rx Only**

[orthofix.com](http://orthofix.com)  
GF-2103-PL-EO B 11/21

**ORTHOFIX**<sup>®</sup>  
ORTHOPEDICS