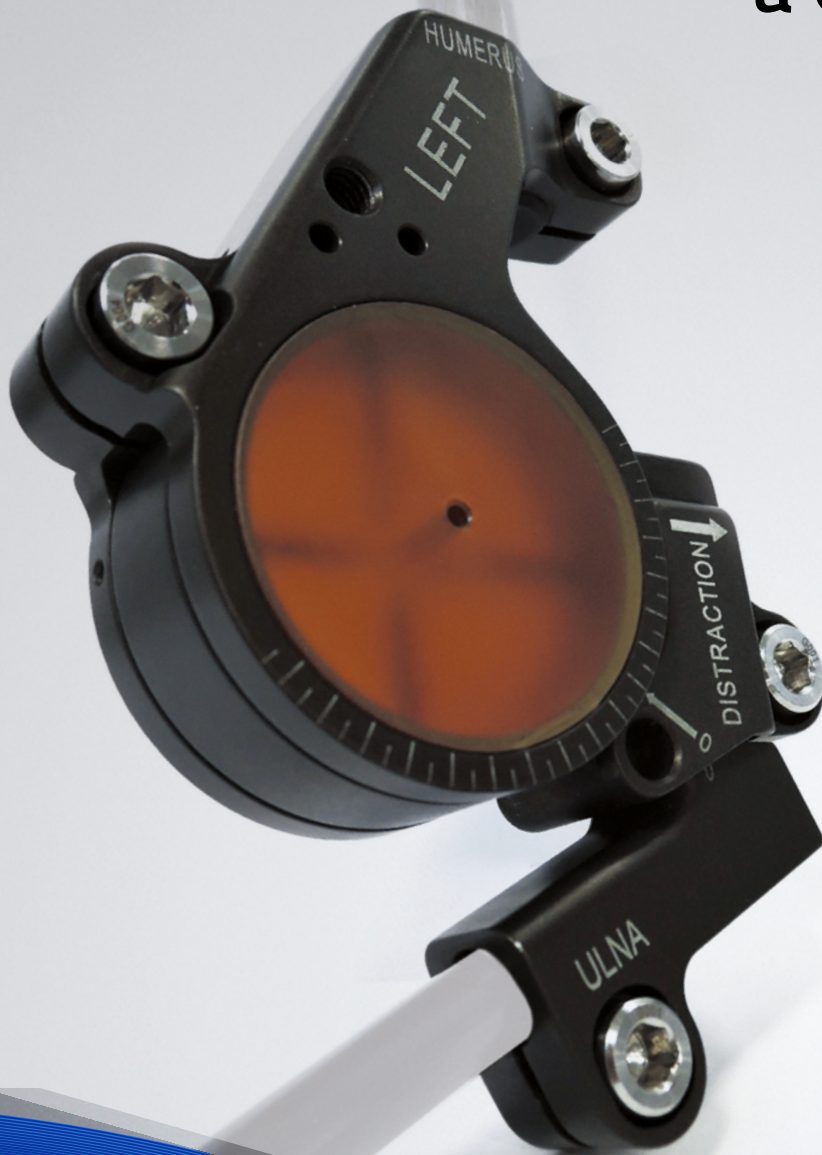


PRODUCT SHEET

Galaxy Fixation™

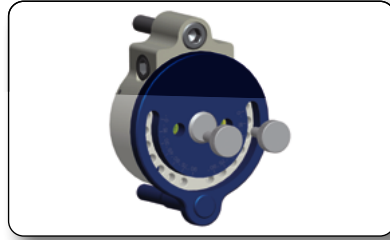
Elbow System

In a world of trauma
a Galaxy of solutions



- Non-invasive targeting technique
Radiolucent hinge which allows easy location of the centre of rotation of the elbow
- Free flexion-extension
- Limited movement
- Passive movement
- Micrometric distraction of the joint

Elbow Motion Unit



- To be used with the Elbow Hinge for passive motion
- Allows controlled, limited flexion/extension of the joint

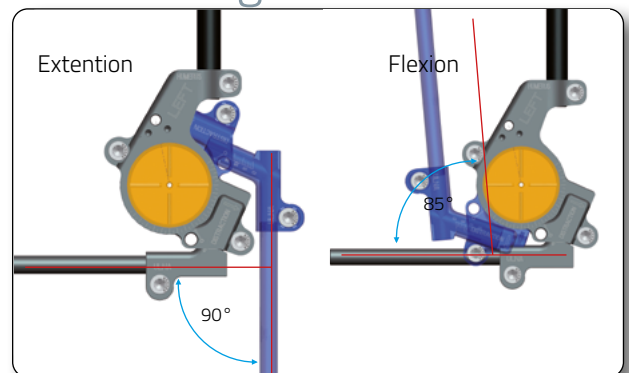
Elbow Distractor Unit Post-traumatic stiffness



- The Elbow Distractor is intended to be used to distract the joint intra-operatively in case of elbow stiffness.



Elbow Hinge



- To be used with 12mm Rod for the humerus and 9mm Rod for the Ulna
- Radiolucent hinge which allows easy location of the centre of rotation of the elbow, flexion-extension (up to 175°) and micrometric distraction (15mm) of the joint

Galaxy Elbow Complete (93997C)

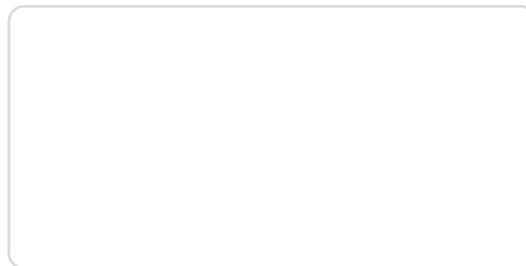


Galaxy Elbow Sterile Kit (99-93504)




 Manufactured by:
 ORTHOFIX Srl
 Via Delle Nazioni 9, 37012
 Bussolengo (Verona), Italy
 Telephone +39 045 6719000,
 Fax +39 045 6719380
 www.orthofix.com

Distributed by:



Instructions for Use: See actual package insert for Instructions for Use.

CE 0123

www.galaxyfixation.com

orthofix.com
 GF-1601-PL-E0 B 07/22

Caution: Federal law (USA) restricts this device to sale by or on the order of a physician. Proper surgical procedure is the responsibility of the medical professional. Operative techniques are furnished as an informative guideline. Each surgeon must evaluate the appropriateness of a technique based on his or her personal medical credentials and experience. Please refer to the "Instructions for Use" supplied with the product for specific information on indications for use, contraindications, warnings, precautions, adverse reactions and sterilization.


ORTHOFIX[®]
 ORTHOPEDICS