

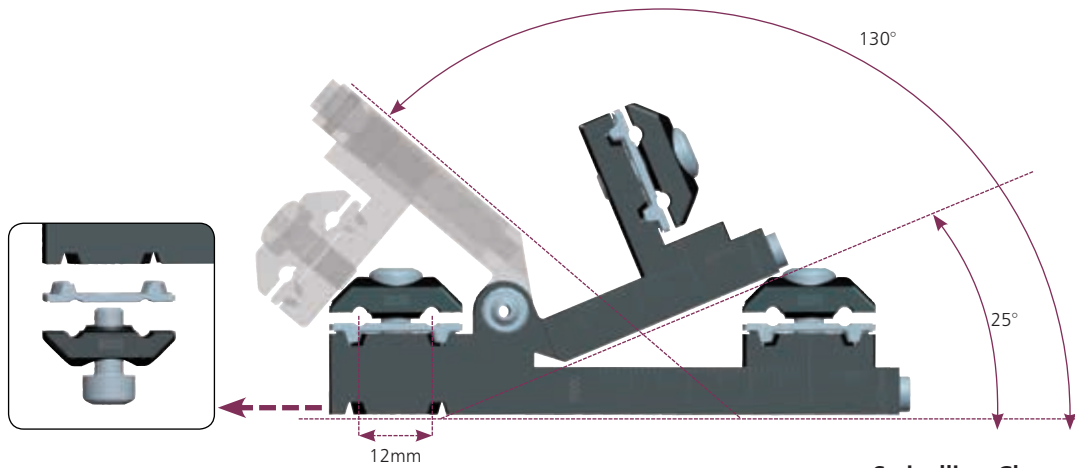
## Get the **BALANCE** Right

## Perfect **CONTROL** of Reduction

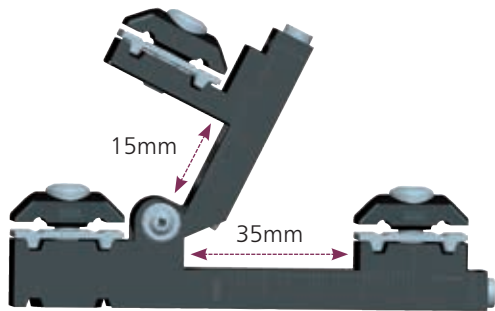
It accomplishes the three goals for treating calcaneal fractures: restoring heel height, reducing heel width to decompress the peroneal tendons, and accurately reducing the articular surfaces, without compromising the soft tissue envelope



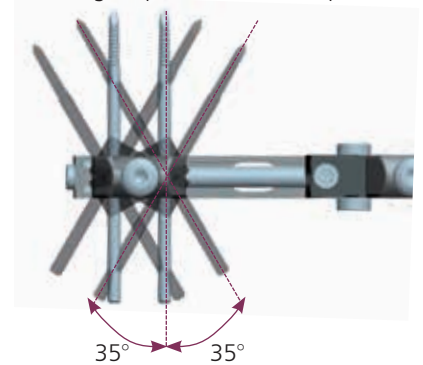
- Small, unilateral design more comfortable than a circular fixator
- Highly versatile fixator with built in Swivelling and Distraction capability
- One design for right and left foot
- Sterile KIT ready to use



**Compression-distraction units** to allow for fragment reduction

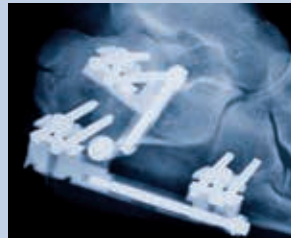
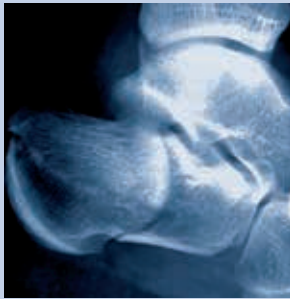


**Swivelling Clamps** to allow for angled placement of the pins



## Case Study

39-Year-Old, male

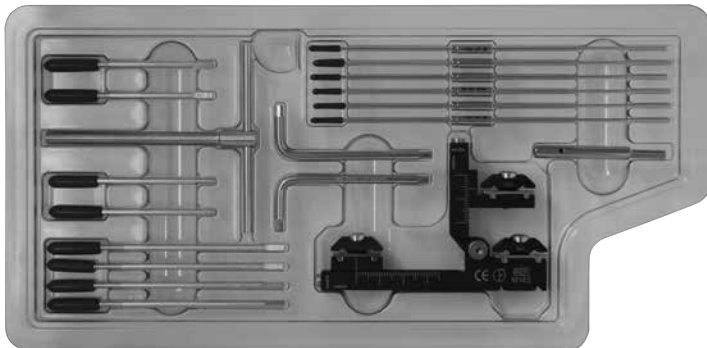


Intra-operative

FU 7 months



Case study provided by Dr. B. Magnan, Orthopaedic and Traumatology Department, University of Verona, Verona, Italy.



### 99-M1450 Calcaneal Minifixator Kit, sterile

Part No.	Product Description	Quantity
M145	Calcaneal External Fixator	1
T0012	3mm Allen Wrench	2
M210	T Wrench	1
M211	Driver	1
M224	Calcaneal Template Kit <i>Consisting of:</i> - 6 Wires - 6 Wire Guides - 6 Pin Guides	1
M321	Pin 70/15	2
M315	Pin 70/25	2
M317	Pin 100/30	4



Manufactured by:  
ORTHOFIX Srl  
Via Delle Nazioni 9, 37012 Bussolengo (Verona), Italy  
Telephone +39 045 6719000, Fax +39 045 6719380



[www.orthofix.com](http://www.orthofix.com)

CF-0801-PL-E0 E 06/16

Distributed by:

